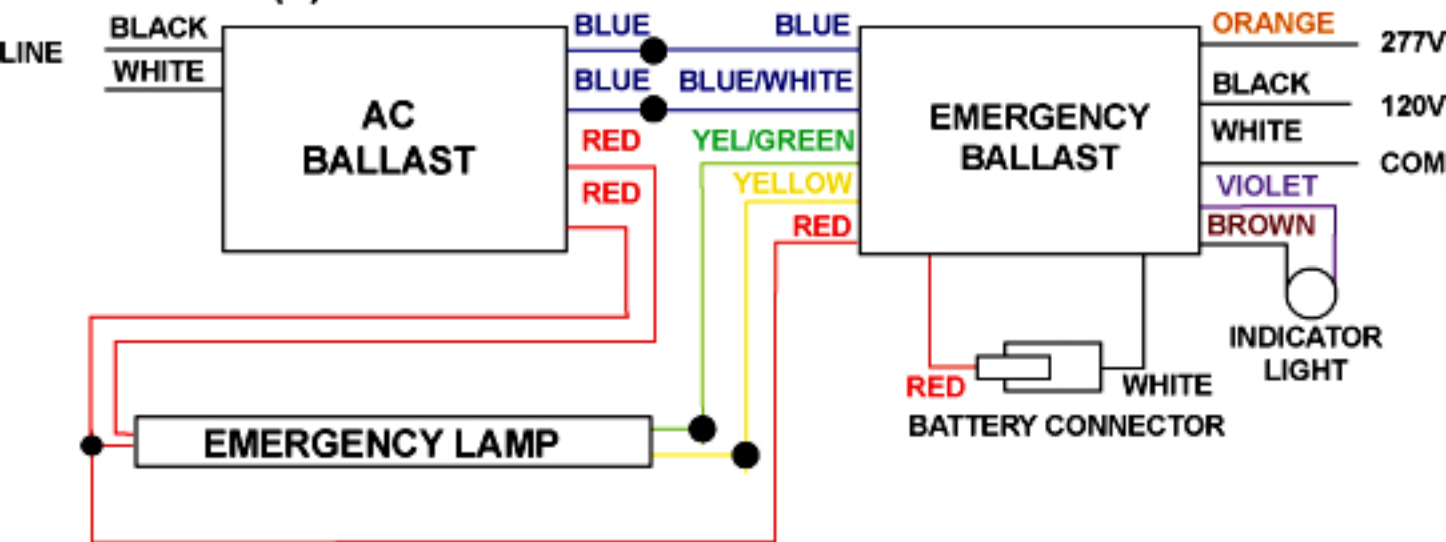


A. ONE (1) LAMP RAPID START BALLAST



B. TWO (2) LAMP RAPID START BALLAST

