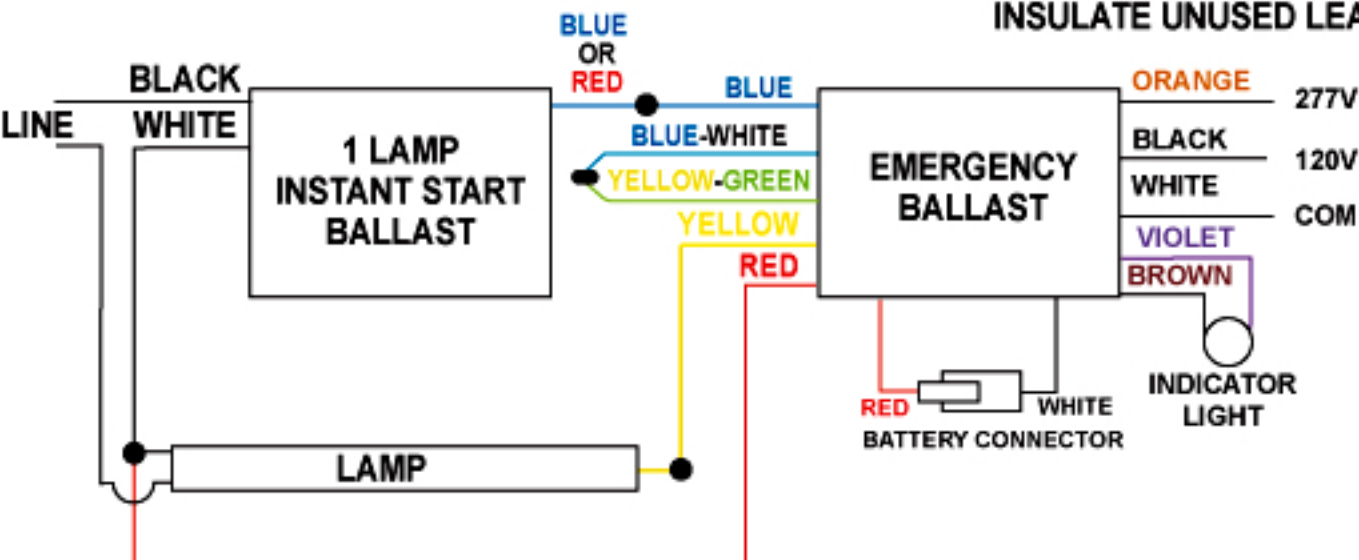


C. ONE (1) LAMP INSTANT START SLIMLINE BALLAST

TO UNSWITCHED AC
USE PROPER TAP
INSULATE UNUSED LEADS



D. TWO (2) LAMP LEAD/LAG INSTANT START SLIMLINE BALLAST

TO UNSWITCHED AC
USE PROPER TAP
INSULATE UNUSED LEADS

