

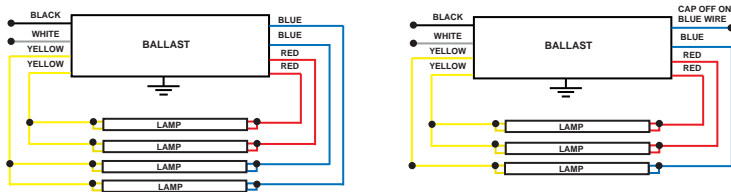


<b>Item 3093C</b>	EL432HL@120V
Ballast Type	Electronic
Starting Method	Active Instant Start
Lamp Connection	Parallel
Input Voltage	120-277V
Input Frequency	50/60HZ
Status	Active
Safety Approval	UL/CUL

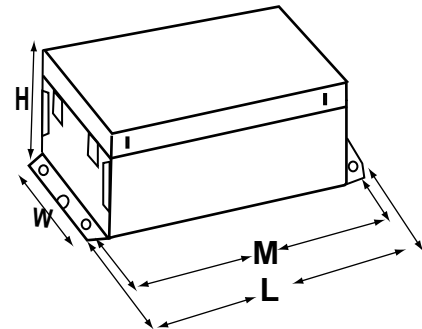
## ELECTRICAL SPECIFICATIONS

Lamp Type	NO. of Lamps	Rated Lamp Watts	Min Start Temp (°F/C)	Input Current (Amps)	Input Power (ANSI Watts)	Ballast Factor	MAX THD %	Power Factor	MAX Lamp Current Crest Factor	BEF
F32T8	4	32	0/-18	1.17	140	1.2	10	0.99	1.7	0.86
F32T8	3	32	0/-18	0.93	109	1.28	10	0.99	1.7	1.17
F25T8	4	25	0/-18	0.86	101	1.24	10	0.99	1.7	1.23
F25T8	3	25	0/-18	0.74	87	1.34	10	0.99	1.7	1.54
F17T8	4	17	0/-18	0.65	77	1.26	15	0.99	1.7	1.64
F17T8	3	17	0/-18	0.61	72	1.37	15	0.99	1.7	1.90
F40T8	3	40	32/0	1.07	127	1.19	10	0.99	1.7	0.94

Wiring Diagram



Enclosure



Standard Lead Length(inch/cm)

	in.	cm.		in.	cm.
Black	18.8	48	Yellow/Blue		
White	18.8	48	Blue/White		
Blue	30.9	78.5	Brown		
Red	30.9	78.5	Orange		
Yellow	46.4	118	Orange/Black		
Gray			Black/White		
Violet			Red/White		

Over All(L)	Width(W)	Height(H)	Mounting(M)
24.1cm	6.1cm	3.7cm	22.6cm
9.5"	2.4"	1.45"	8.9"

Revised 04/10/2015



Data is based upon tests performed in a controlled environment and representative performance. Actual performance can vary depending on operating conditions. Specifications are subject to change without notice. All specifications are nominal unless otherwise noted.

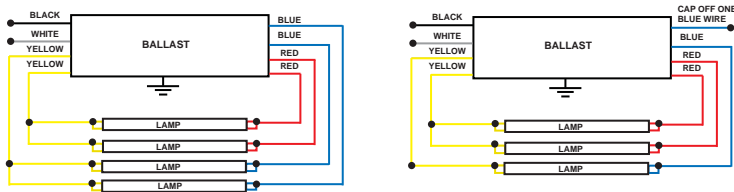


<b>Item 3093C</b>	EL432HL@230V
Ballast Type	Electronic
Starting Method	Active Instant Start
Lamp Connection	Parallel
Input Voltage	120-277V
Input Frequency	50/60HZ
Status	Active
Safety Approval	UL/CUL

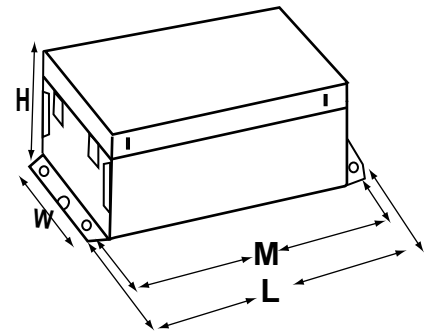
## ELECTRICAL SPECIFICATIONS

Lamp Type	NO. of Lamps	Rated Lamp Watts	Min Start Temp (°F/C)	Input Current (Amps)	Input Power (ANSI Watts)	Ballast Factor	MAX THD %	Power Factor	MAX Lamp Current Crest Factor	BEF
F32T8	4	32	0/-18	0.58	134	1.2	10	0.99	1.7	0.90
F32T8	3	32	0/-18	0.49	111	1.3	15	0.99	1.7	1.17
F25T8	4	25	0/-18	0.45	102	1.25	15	0.99	1.7	1.23
F25T8	3	25	0/-18	0.39	89	1.34	15	0.98	1.7	1.51
F17T8	4	17	0/-18	0.35	80	1.26	15	0.98	1.7	1.58
F17T8	3	17	0/-18	0.32	72	1.37	15	0.97	1.7	1.90
F40T8	3	40	32/0	0.57	128	1.19	15	0.99	1.7	0.93

### Wiring Diagram



### Enclosure



### Standard Lead Length (inch/cm)

	in.	cm.		in.	cm.
Black	18.8	48	Yellow/Blue		
White	18.8	48	Blue/White		
Blue	30.9	78.5	Brown		
Red	30.9	78.5	Orange		
Yellow	46.4	118	Orange/Black		
Gray			Black/White		
Violet			Red/White		

Over All(L)	Width(W)	Height(H)	Mounting(M)
24.1cm	6.1cm	3.7cm	22.6cm
9.5"	2.4"	1.45"	8.9"

Revised 04/10/2015



Data is based upon tests performed in a controlled environment and representative performance. Actual performance can vary depending on operating conditions. Specifications are subject to change without notice. All specifications are nominal unless otherwise noted.