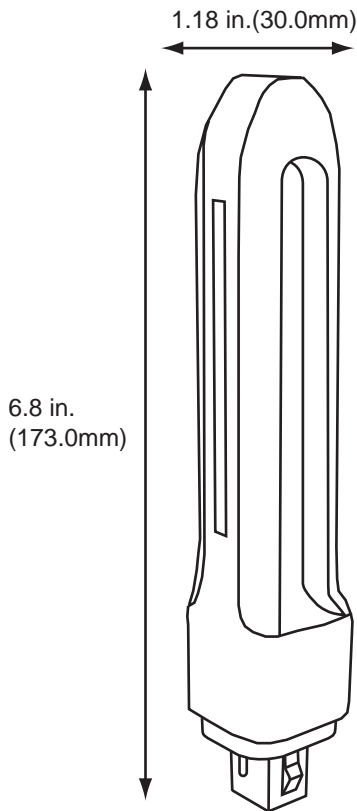
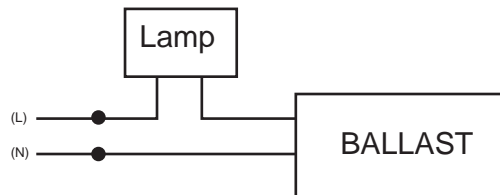


LED TT 2-PIN DUAL MODE

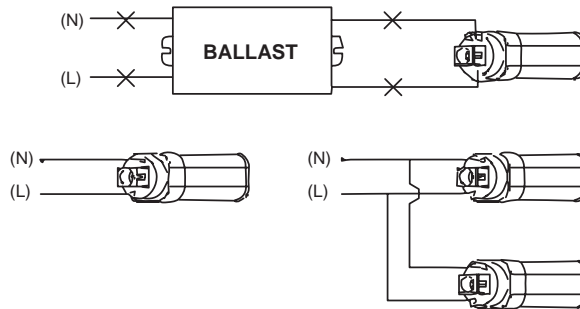
- UL Certified
- Two operation models:
- *Direct Replacement Mode (**Mode I**) Plug-n-Play replacement
Input Voltage: Determined by fluorescent ballast
Magnetic ballast compatible
- *By Pass Mode (**Mode II**) Direct connect with the mains:
120VAC 50/60Hz
- 25,000 Avg Life Hours
- G24D 2-Pin Base
- TT Bulb Shape
- 11.5 Watts



Direct Replacement



Bypass Wiring



11.5 Watts

3000K

11.5 Watts

3500K

11.5 Watts

4100K

3

YEAR

LIMITED WARRANTY

Item Number	Avg Watts	Voltage	Base	Kelvin Color	Avg Life Hours	Average Lumens	Length	UL
33614A	11.5	120	2-PIN	3000K	25,000	1100LM	6.8 in. (173.0mm)	Yes
33614B	11.5	120	2-PIN	3500K	25,000	1100LM	6.8 in. (173.0mm)	Yes
33614C	11.5	120	2-PIN	4100K	25,000	1100LM	6.8 in. (173.0mm)	Yes

Phone: (800) 238-9080
Fax: (877) 608-0597

Damar Worldwide 4 LLC
805 N Carnation
Aurora, MO 65605

dwwsales@damarww.com
www.damarww.com