

LED STRIP 65/4K/8FT

Specifications

Item - 33684B

Model - LED STRIP 65/4K/8FT

Fixture Type - LED

Input Voltage - 120-277VAC 50/60Hz

Watts - 65 W

Width - 3.35"(85mm)

Length - 94.17'(2392mm)

Height - 3.57"(90.8mm)

Color Temp - 4000K

Beam Spread - 120°

CRI - 80

Lumen - 8,450 lm

Lumen efficacy - 130lm/W

Power factor - ≥ 0.9

Finish - White

Dimmable - Yes, 0-10V

Life - 50,000

Ambient Operating Temp - -22°F to 113°F

Suitable For Damp Locations



Installation Instruction

WARNING

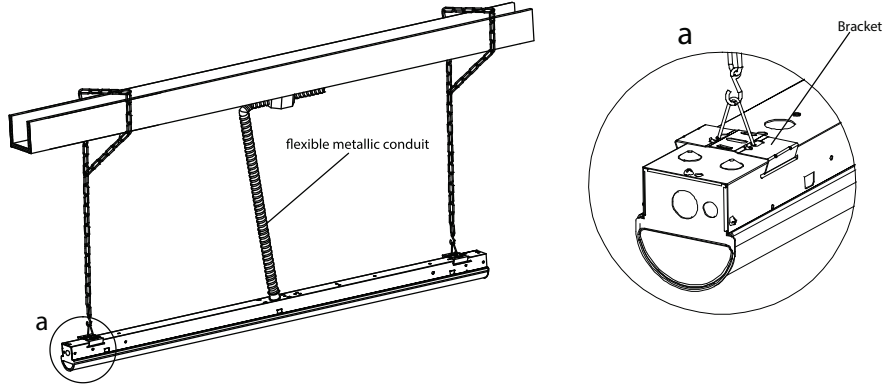
- To reduce the risk of death, personal injury or property damage from fire, electric shock, falling parts, cuts/abrasions, and other hazards read all warnings and instructions included with and on the fixture box and all fixture labels.
- Before installing, servicing, or performing routine maintenance upon this equipment, follow these general precautions.
- Commercial installation, service and maintenance of luminaires should be performed by a qualified licensed electrician.
- For the installation: If you are unsure about the installation or maintenance of the luminaires, consult a qualified licensed electrician and check your local electrical code.
- To prevent wiring damage or abrasion, do not expose wiring to edges of sheet metal or other sharp objects.
- Do not make or alter any open holes in an enclosure of wiring or electrical components during kit installation.

WARNING

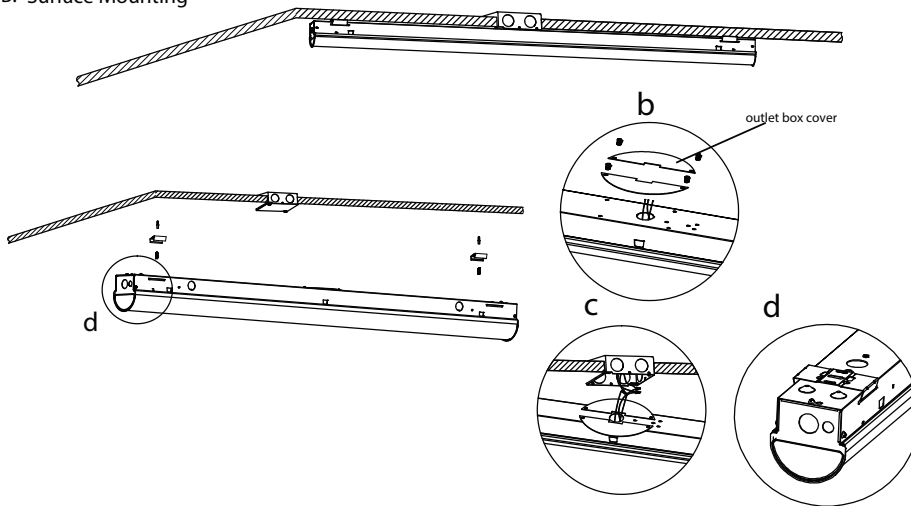
- Turn off electrical power at fuse or circuit breaker box before wiring fixture to the power supply.
- Turn off the power when you perform any maintenance.
- Verify that supply voltage is correct by comparing it with the luminaire label information.
- All wiring connections should be capped with UL approved wire connectors.



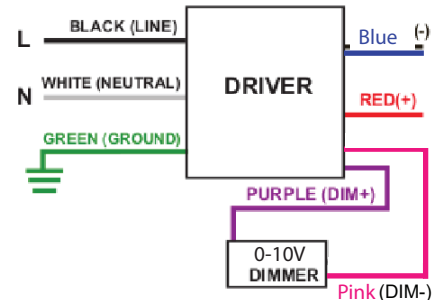
A: Chain Suspended Mounting



B: Surface Mounting



Wiring Diagram



Installation Step:

A: Chain Mounting with V hook

- Step1: Clip the brackets to the slots of fixture
- Step2: Attach customer supplied V-Hooks to brackets.
- Step3: Attach customer supplied chain to the V-hooks and mounting surface.

B: Surface Mounting

- Step1: Secure the provided brackets onto the ceiling with the provided accessories and screws.
- Step2: Screw the covers at the outlet of the back of the housing.(Figure b)
- Step3: Wire to main power through the junction box (figure c)
- Step4: Then clip the brackets to the slots of fixture.(figure d)