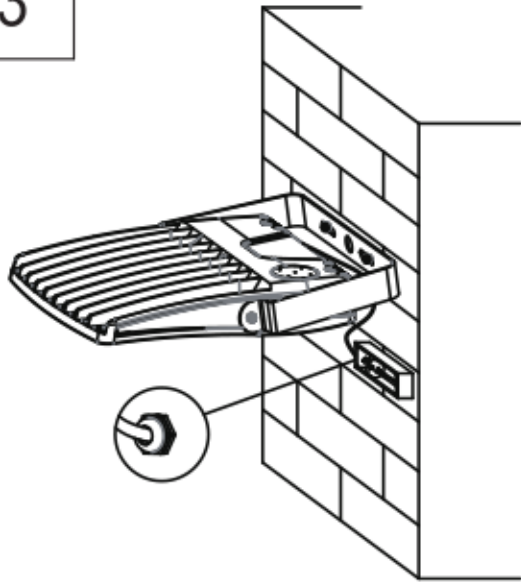


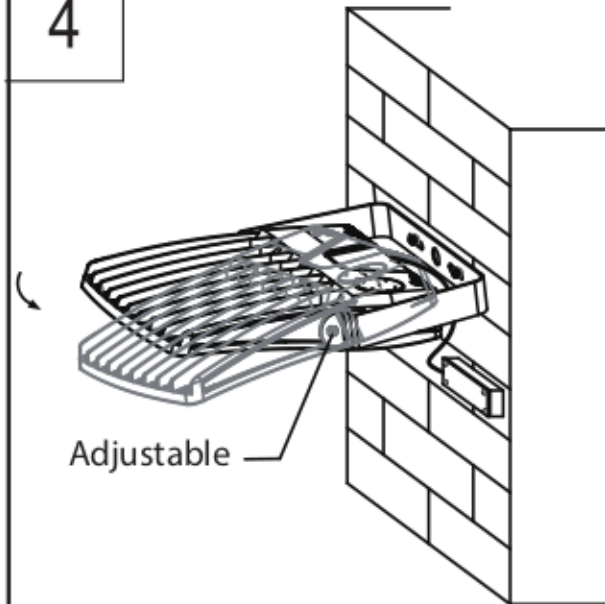
Trunnion Mount Installation

3



Open the terminal box, and connect the wires. See wiring diagram

4



Close the terminal box and adjust the angle if needed.