

Bypass PL- LED Instructions

IMPORTANT SAFETY INSTRUCTIONS

READ INSTRUCTIONS CAREFULLY BEFORE INSTALLING.

KEEP THESE INSTRUCTIONS FOR FUTURE REFERENCE.

DANGER - RISK OF SHOCK-DISCONNECT POWER BEFORE INSTALLATION.

CAUTION: Before installing, make certain the AC power to the fixture is off.

CAUTION: The electrical rating of this product is 120-277V. Installer must confirm that there is 120-277V at the fixture before installation.

CAUTION: LEDs are extremely bright. Do not look directly at the LED light source for extended period of time as over-exposure may cause harm to the eyes.

This product must be installed in accordance with the applicable installation code by a person familiar with the construction and operation of the product and the hazards involved.

To comply with the published safety standards, the following must be observed when using this LED lamp.

THIS RETROFIT KIT IS ACCEPTED AS A COMPONENT OF A LUMINAIRE WHERE THE SUITABILITY OF COMBINATION SHALL BE DETERMINED BY AUTHORITIES HAVING JURISDICTION. PRODUCT MUST BE INSTALLED BY A QUALIFIED ELECTRICIAN IN ACCORDANCE WITH THE APPLICABLE AND APPROPRIATE ELECTRICAL CODES. INSTALLATION GUIDE DOES NOT SUPERSEDE LOCAL OR NATIONAL REGULATIONS FOR ELECTRICAL INSTALLATIONS.

WARNING - Risk of fire or electric shock. The electrical rating for this product is 120-277V, the installer must determine whether they have 120-277V at the luminaire before installation.

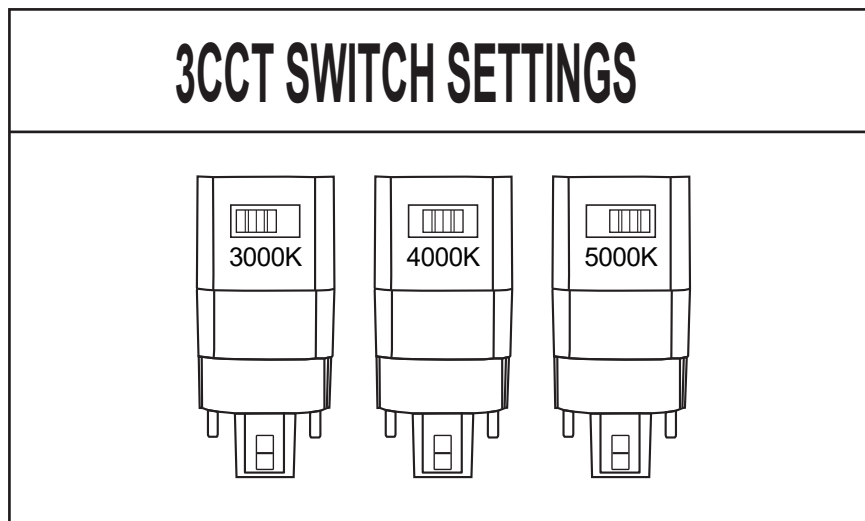
WARNING - Risk of fire or electric shock. The LED retrofit kit installation requires knowledge of luminaire electrical systems. If not qualified, do not attempt installation. Contact a qualified electrician.

WARNING - Risk of fire or electric shock. Install this kit only in the luminaires that has the construction features and dimensions shown in the photographs and/or drawings and where the input rating of the retrofit kit does not exceed the input rating of the luminaire.

WARNING - To prevent wiring damage or abrasion, do not expose wiring to edges of sheet metal or other sharp objects. Do not add or alter any open holes in an enclosure of wiring or electrical components during kit installation.

Only those open holes indicated in the photographs and/or drawings may be added or altered as a result of kit installation. Do not leave any other open holes in the wiring enclosure or electrical component enclosure during installation.

Installers should not disconnect existing wires from the lamp holder terminals to make new connections at the lamp holder terminals. Instead, installers should cut existing lamp holder leads away from the lamp holder and make new electrical connections to the lamp holder lead wires by employing applicable connections.



Bypass PL- LED Instructions

These LED Lamps are intended for lighting systems only.

These LED Lamps are for indoor use only. Maximum ambient temperature must not exceed 113°F (45 °C).

These LED Lamps are not intended to be repaired by the user, manufacturer, or service personnel in any case of failure.

These LED Lamps are constructed so that they do not rely upon the luminaire enclosure for protection against accidental contact with live parts.

These LED Lamps are intended to retrofit Type IC or non-IC recessed mount listed luminaires with or without diffuser, with instructions to remove existing trim.

These LED Lamps are intended to be used in dry or damp locations only.

These LED Lamps are not to be used with dimmers.

These LED Lamps are not intended for use with emergency exit features of any type.

These lamps are intended to be installed in the same orientation as the fluorescent tubes they are replacing.

1. Check to confirm the LED Lamps electrical parameters are rated to replace the luminaire being serviced.
2. Make sure the circuit breaker that supplies power to the fixture is turned off.
3. Remove trim and existing lamps from recessed fixture. Drop housing from plaster frame.
4. Remove inner junction box cover and disconnect ballast from input wiring and lamp holder leads.
Dispose of removed ballast and lamps in accordance with government regulations in your area.
5. Connect input wiring to lamp holder leads according to the appropriate diagram below. (Figure 1,2,3,4)
Place wires and connections back in wiring box and replace cover.
6. Reinstall housing and trim.
7. Install your new LED lamps. Rotate lamps to desired position. (Horizontal lamp only).
8. Apply modified luminaire sticker on visible surface inside the fixture.
9. Turn on power at the breaker box and turn on the lamp.

Figure 1. Retrofit with One Lamp (G24d Base)

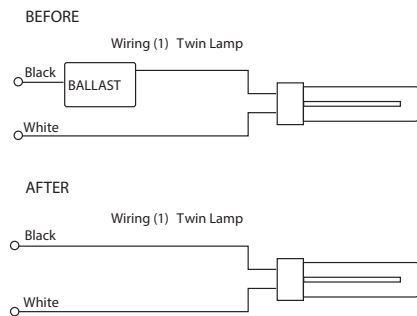


Figure 3. Retrofit with One Lamp (G24q Base)

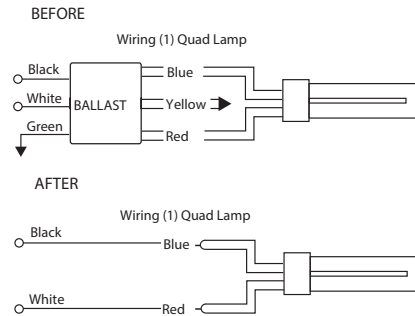


Figure 2. Retrofit with Two Lamps (G24d Base)

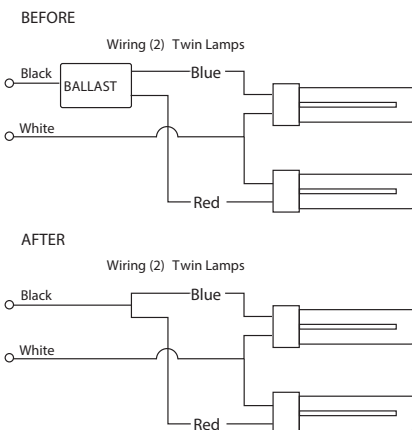


Figure 4. Retrofit with Two Lamps (G24q Base)

