

Front View



Top View



Back View



Specifications

Item	- 36278A
Model	- LEDWALLPACK 60/80/100W 3/4/5K
Bulb Type	- LED
Watts	- 60W/80W/100W
Input Voltage	- 120-277VAC 50/60Hz
Surge Protection	- 4kV
Lumens	- 9,000/12,000/15,000
Kelvin	- CCT Selectable (3K, 4K, 5K)
CRI	- 80
Dimmable	- Yes (0-10V)
ETL Rated	- Wet Location
Life Hours	- 50,000
Ambient Operating Temp.	- -22°F ~ 122°F (-30°C ~ 50°C)
Height	- 9.3 inches (236 mm)
Length	- 14.4 inches (366 mm)
Width	- 7.5 inches (190.5 mm)
Included	- Quick Connect Photocell Sensor

Caution

- This fixture must be wired in accordance with the National Electrical Code (NEC) and applicable local ordinance. Proper grounding is required to ensure personal safety. Carefully observe grounding procedure under the installation section.
- Make certain power is OFF before starting the installation or attempting any maintenance. Risk of fire/electric shock. If not qualified, consult a licensed electrician.
- Disconnect power at fuse or circuit breaker before installing or servicing.
- RISK OF BURN - Disconnect power and allow the fixture to cool before servicing.
- RISK OF PERSONAL INJURY - Fixture may become damaged and/or unstable if not installed properly. Make sure all fixture components are securely tightened.

Precaución

- Este accesorio debe estar conectado de acuerdo con el National Código Eléctrico (NEC) y ordenanzas locales aplicables. Apropiado Se requiere conexión a tierra para garantizar la seguridad personal. Cuidadosamente observe el procedimiento de conexión a tierra en la sección de instalación.
- Asegúrese de que la alimentación esté apagada antes de comenzar la instalación o intentando cualquier mantenimiento. Riesgo de incendio / descarga eléctrica. Si no calificado, consulte a un electricista con licencia.
- Desconecte la energía en el fusible o en el interruptor de circuito antes de instalar o servicio.
- RIESGO DE QUEMADURAS: desconecte la alimentación y permita que el dispositivo se enfríe antes de dar servicio
- RIESGO DE LESIONES PERSONALES: el accesorio puede dañarse y / o inestable si no se instala correctamente. Asegúrese de que todos los accesorios. Los componentes están bien apretados.



NOTICE

To reduce the risk of electrical shock, fire, or injury to persons; read and follow all warnings and installation instructions before installing.

RISK OF ELECTRICAL SHOCK - Ensure power is off before installation or inspection. All wirings must be performed in accordance with National Electrical Code and local electrical code.

RISK OF FIRE - Fixtures are rated for use in 120-277V, 50-60Hz protected circuit and 90°C rated supply wire.

FOR YOUR SAFETY - While performing installations described, gloves, safety glasses, or goggles should be worn.

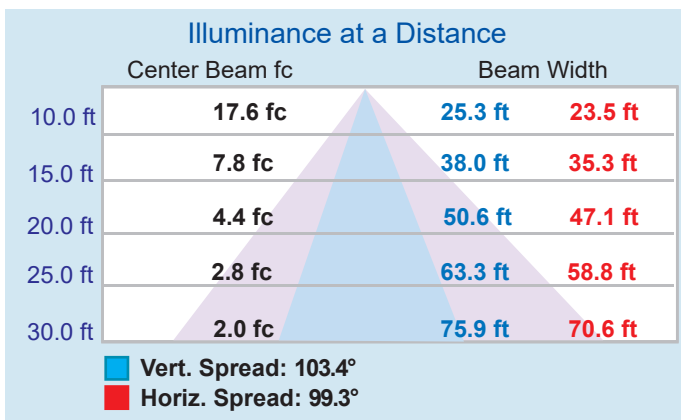
Install this fixture only in luminaires that have the construction features and dimensions shown in the photographs and/or drawings. Do not make or alter any open holes in an enclosure of wiring or electrical components during kit installation.

To prevent wiring damage or abrasion, do not expose wires to edges of sheet metal or other sharp objects.

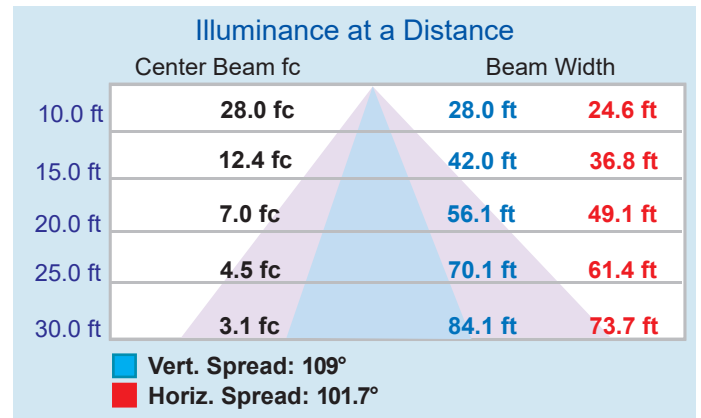
Do not alter, relocate, or remove wiring, lampholders, power supply, or any other electrical components.

This fixture is suitable for use in wet locations.

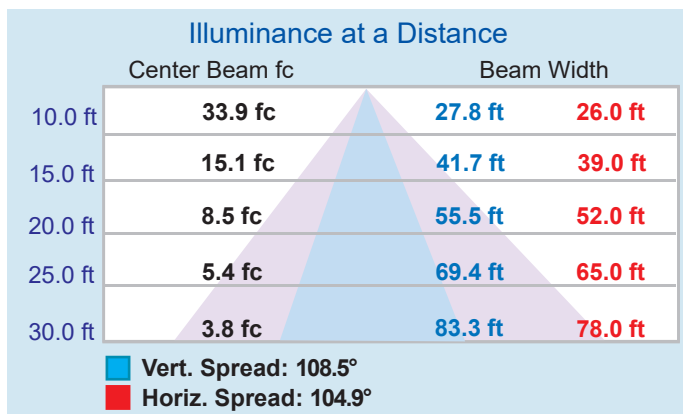
60 WATT



80 WATT



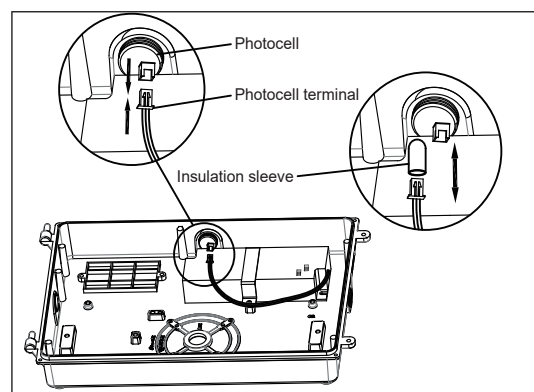
100 WATT



PHOTOCELL INSTALLATION INSTRUCTIONS

1. Open the fixture with the hex wrench.
2. Remove the insulation sleeve from the photocell terminal and connect the photocell terminal.
3. Close the fixture.

NOTE: THE PHOTOCELL POSITION IS PRESET TO BE ON TOP OF THE FIXTURE, BUT, IT CAN ALSO BE MODIFIED TO THE LEFT OR RIGHT OF THE KNOCK POSITION ON THE FIXTURE.



FIXTURE INSTALLATION INSTRUCTIONS

1. Open the fixture with a hex wrench.
2. Disconnect the wires connecting parts A and B.
3. Separate part A and B, and set aside part A.
4. Prepare the back plate for mounting by drilling or knocking out the appropriate holes.
5. Insert the input wire through the gasket hole for part B.
6. Trim the wire and insert it to the base and connect the wires per the wiring diagram. Please keep the circuit open during the process.
7. Put part A back onto the hinge of part B.
8. Check to be sure the hinge is secure.
9. Connect the wire back from Part A to Part B.
10. Adjust the CCT and wattage per your requirement.
11. Be sure the insulation sleeve covers the whole photocell terminal, in order to keep it protected from surges. (If photocell isn't being used)
12. Close the fixture.

WIRING DIAGRAM

WIRING DIAGRAM

