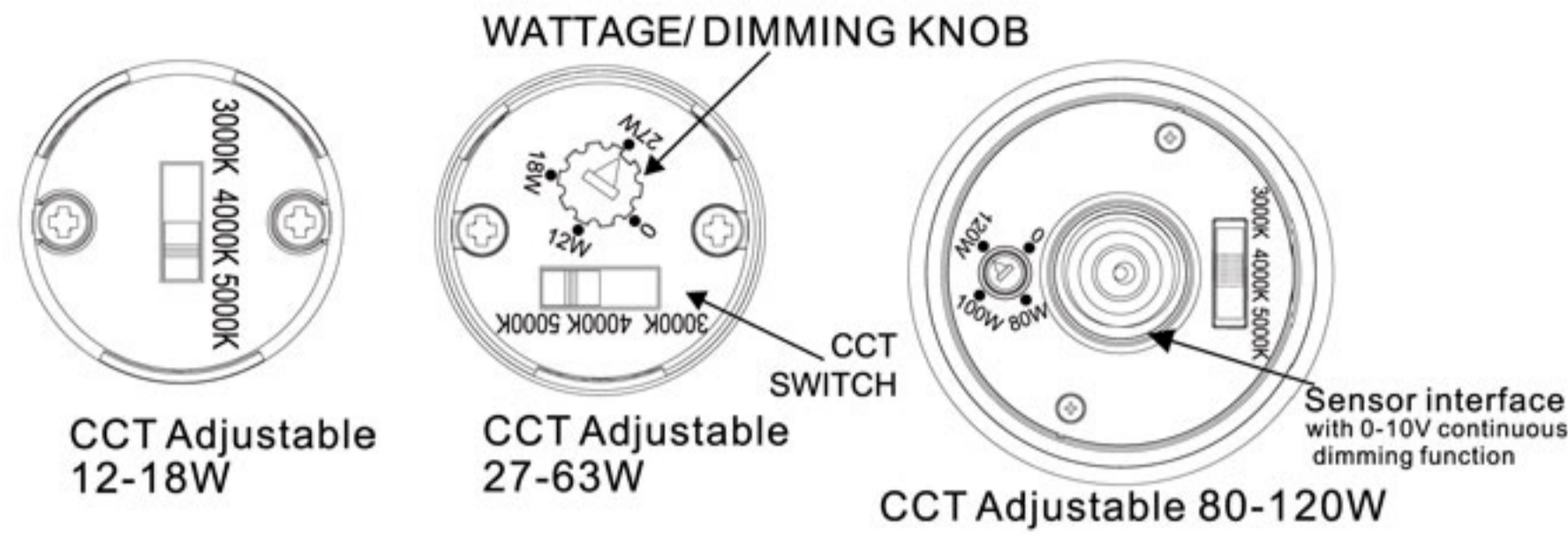


CCT / Wattage adjustable and dimming mode diagram:



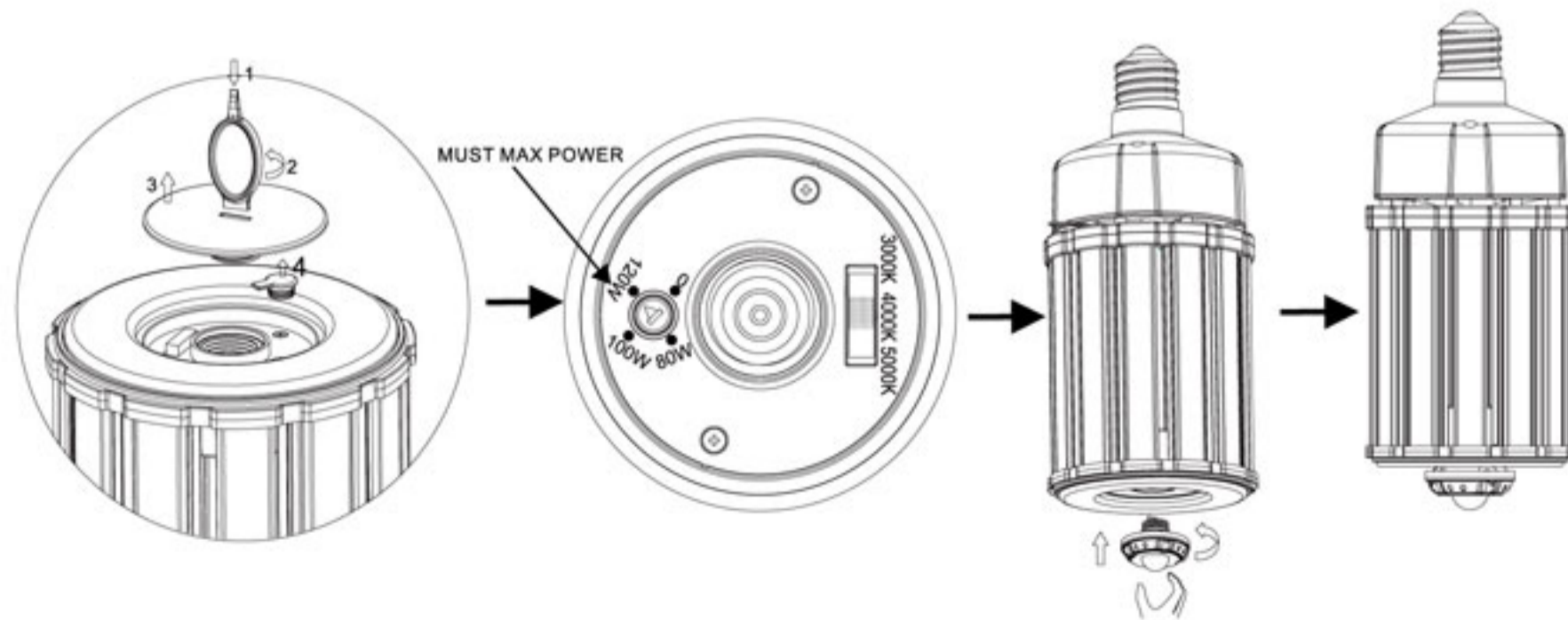
Wattage Adjustable

Rated wattage	Dimming mode		
27W	12W	18W	27W
36W	18W	27W	36W
45W	27W	36W	45W
54W	36W	45W	54W
63W	36W	54W	63W
80W	54W	63W	80W
100W	63W	80W	100W
120W	80W	100W	120W

Installation of motion sensor or PIR sensor:

It could be easily installed by using a straight screwdriver. Use a flat-blade screwdriver to unscrew the plug and remove the plug. And then, adjust the lamp power to the maximum (otherwise the sensor will act abnormally), install motion sensor or PIR sensor and tighten it.

Note: the motion sensor has no dialing code, and a remote control is needed for adjustment. Please refer to the instruction for remote control adjustment.



WARNING:

WARNING – Risk of fire or electric shock. LED Retrofit Kit installation requires knowledge of luminaires electrical systems. If not qualified, do not attempt installation. Contact a qualified electrician.

WARNING – Risk of fire or electric shock. Install this kit only in the luminaires that have the construction features and dimensions shown in the photographs and/or drawings and where the input rating of the retrofit kit does not exceed the input rating of the luminaire.

WARNING – To prevent wiring damage or abrasion, do not expose wiring to edges of sheet metal or other sharp objects.

Do not make or alter any open holes in an enclosure of wiring or electrical components during kit installation.

THE RETROFIT KIT IS ACCEPTED AS A COMPONENT OF A LUMINAIRE WHERE THE SUITABILITY OF THE COMBINATION SHALL BE DETERMINED BY AUTHORITIES HAVING JURISDICTION. PRODUCT MUST BE INSTALLED BY A QUALIFIED ELECTRICIAN IN ACCORDANCE WITH THE APPLICABLE AND APPROPRIATE ELECTRICAL CODES.

THE INSTALLATION GUIDE DOES NOT SUPERSEDE LOCAL OR NATIONAL REGULATIONS FOR ELECTRICAL INSTALLATIONS. SUITABLE FOR DAMP LOCATIONS.

ADDED WEIGHT OF THE DEVICE MAY CAUSE INSTABILITY OF A FREE STANDING PORTABLE LUMINAIRE.

USE ONLY WITH A PORTABLE TABLE LAMP THAT IS PROVIDED WITH A SHADE. USE IN PORTABLE TABLE LAMPS IN WHICH THE DISTANCE FROM THE BOTTOM OF THE BASE TO THE TOP OF THE LAMPHOLDER DOES NOT EXCEED THREE (3) TIMES THE MINIMUM BASE DIAMETER.

THIS DEVICE IS NOT INTENDED FOR USE WITH EMERGENCY EXITS. NOT FOR EMERGENCY LIGHTING.

MIN. LAMP COMPARTMENT DIMENSIONS(L x W x H)

Item	Minimum Lamp Compartment Dimension(mm)(H)x(L)x(W)
54W	420 X 210 X 210
63W	420 X 230 X 230
80W	420 X 230 X 230
100W	440 X 240 X 240
120W	440 X 260 X 260