

## LED SHOEBOX FLOOD

### Specifications



Item	- 36969G
Model	- LED SHOEBOX 100-120-150W 3CCT
Bulb Type	- LED
Beam Angle	- Type III 150°H x 120°V
Input Voltage	- 120-277VAC 50/60Hz
PF	- >0.95
Watts	- 100W/120W/150W SELECTABLE
Color Temp	- 3K/4K/5K SELECTABLE
CRI	- >70
Lumen	- 12500/15000/18750
Dimmable	- YES, 0-10V
UL Rating	- Suitable for Wet Locations
Length	- 13.82" (351 mm)
Width	- 12.55" (318.8mm)
Height	- 3.03" (77mm)
Ambient operating temp	- -40°F to 113°F (-40°C to 45°C)
Finish	- Bronze
Life	- 50,000 Hours
Surge Protection	- 6KV
Photocell	- Optional (36969H)
Trunnion Fitter	- Optional (36969I)
Straight Arm Round Pole	- Optional (36969J)
20KV Surge Protector	- Optional (36969M)
EPA	- 0.35ft <sup>2</sup> Horz. 1.45ft <sup>2</sup> Vert.

### Note

Any alteration or modification of this product is expressly forbidden as it may cause serious personal injury, death, property damage and/or product malfunction.

This luminaire is designed to be horizontally mounted with the LEDs facing down.

This product is not suitable for several special environments, such as places with corrosive gas liquids or high pressure water vapor. Suitable for wet locations.

### Warning

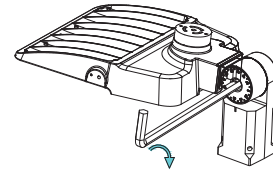
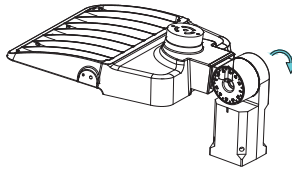
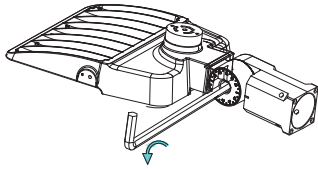
#### PLEASE READ ALL INSTRUCTIONS BEFORE ATTEMPTING INSTALLATION

- To prevent personal injury or product damage only licensed electricians should install.
- To avoid electric shock or component damage disconnect power before attempting installation or servicing.
- Disconnect product and allow cooling prior to servicing.
- To prevent product malfunction and/or electrical shock this product must be properly grounded.
- CONSULT A QUALIFIED ELECTRICIAN TO ENSURE CORRECT BRANCH CIRCUIT CONDUCTOR.

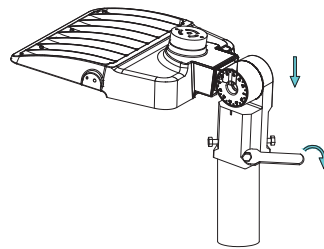
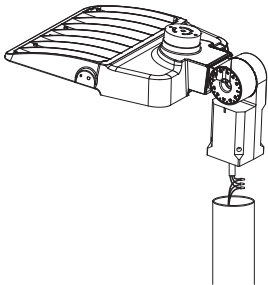


Slip Fitter-suitable for max.pole size 2 3/8"

1. Unscrew and remove the plug by Hex-wrench.
2. Swivel the mount onto the right angle.
3. Screw the plug by Hex-wrench and fasten it.

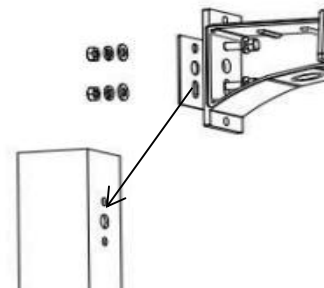
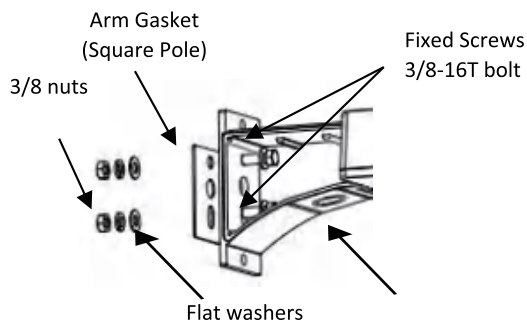


4. Connect the L/N/GND wires
5. Connect the mount with light pole, and screw down by Hex-wrench. Installation completed.



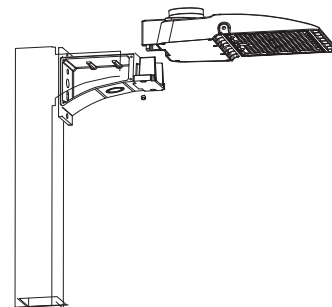
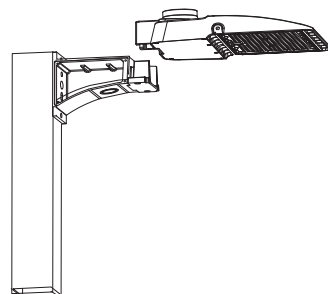
Round Pole-suitable for 4" to 6" pole  
Straight Pole-suitable for 3"x3" or larger pole

1. Loosen the 2 fixed screws (3/8-16T bolt with flat washers) from the mounting.
2. Align the 2 fixed screw holes from the mounting to the pole. Tighten the screws.



3. Slide the fixture in the round/straight pole mount. Connect the L/N/GND wires through the wire-hole.

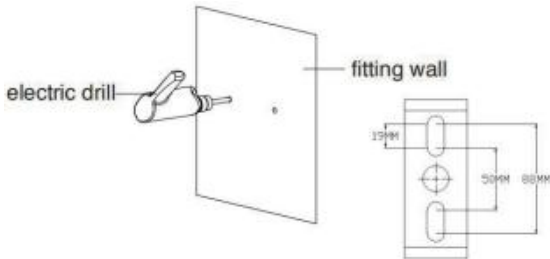
4. Tighten 2 fixed screws of mounting arm.



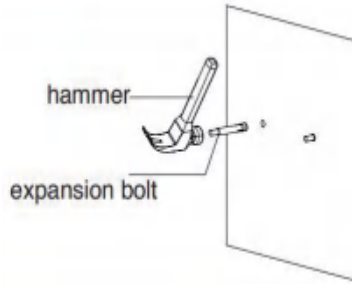
# LED SHOEBOX FLOOD

## Trunnion Mount

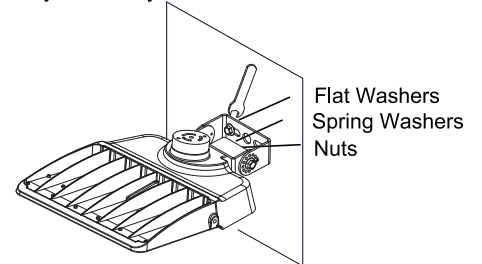
1. In line with the distance between the screw hole of the trunnion bracket. Drill the mounting holes on the wall by electric drill.



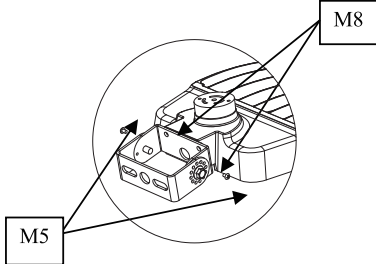
2. Hammer expansion bolts into the mounting holes, and the threads of the expansion bolts need to be exposed.



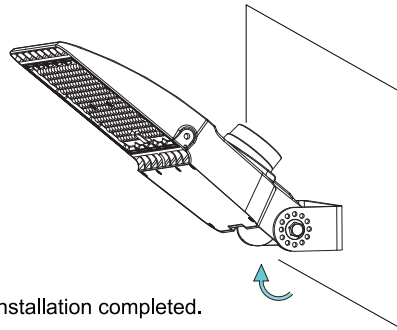
3. Push the area light by direction of the arrow until its mount sticks to the wall. Flat washers, spring washers and nuts are respectively fixed in sequence on the expansion bolts, and tighten the nuts by wrench by the direction of the arrow.



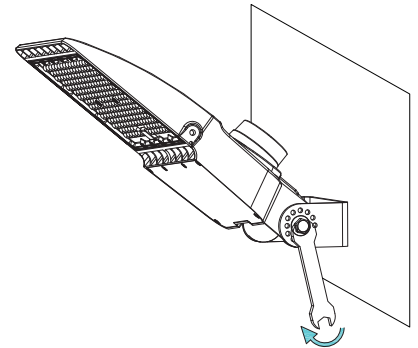
4. Loosen 2x M8 trunnion bolts and 2x M5 positioning screws. Adjust the trunnion to suitable position.



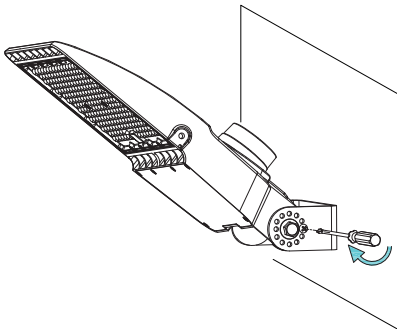
5. Swivel the luminaire until 2x M5 positioning screws are in one of the positioning holes and tighten the hex nut.



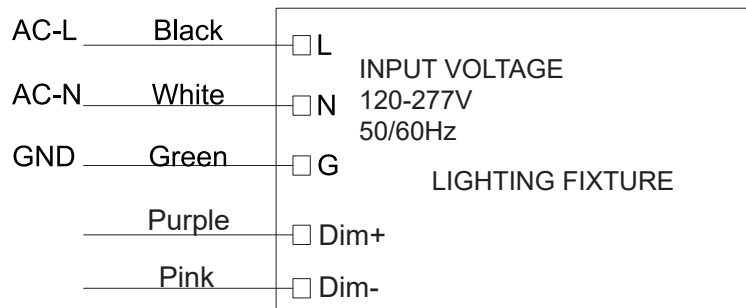
6. Tighten the 2x M8 trunnion bolts by flat washer by the direction of the arrow.



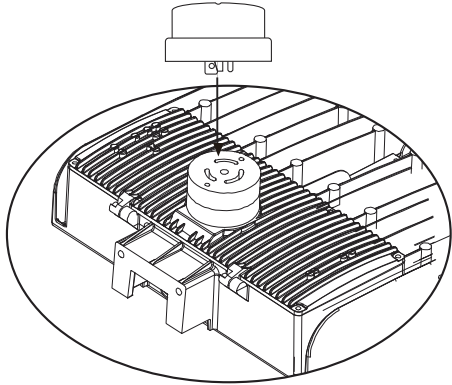
7. Tighten the (2) M5 trunnion bolts by screw driver, installation completed.



## Wiring Diagram



(provided shorting cap)



**Remarks:**

AREA LIGHT Unit comes with a receptacle installed on the fixture, end-users can either twist in a 3pin photocell, or the provided shorting cap. Either a photocell or the provided shorting cap **MUST** be installed to prevent water damage to the fixture.

CCT & Power & Photocell Select Guidance

Wattage Select:



150W



120W

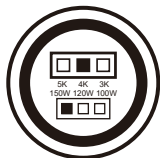


100W

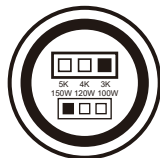
CCT Select:



5K



4K



3K

