

Specifications



Item	- 37157A
Model	- LED CANOPY 45/60/75W 3CCT
Bulb Type	- LED
Input Voltage	- 120-277VAC 50/60 Hz
Watts	- 45W/60W/75W Selectable
Length	- 9.57" (243.0 mm)
Width	- 9.57" (243.0 mm)
Height	- 3.46" (87.9 mm)
Color Temp	- 3000K/4000K/5000K Selectable
CRI	- >70
Lumens	- 5850/7800/9750
Power Factor	- ≥0.9
Finish	- Bronze
Dimmable	- Yes, 0-10V
Wet Location	- Yes
Surge Protection	- 4KV
Average Beam Angle	- 160°
Life	- 50,000
Ambient Operating Temp	- -40°F to 113°F
Photocell	- On, Off, Selectable

Note

Any alteration or modification of this product is expressly forbidden as it may cause serious personal injury, death, property damage and/or product malfunction.

This luminaire is designed to operate in ambient temperatures ranging from -40°C to 45°C (-40°F to 113°F) and to be horizontally mounted with the LEDs facing down.

This product is not suitable for several special environments, such as places with corrosive gas liquids or high pressure water vapor. Suitable for wet locations.

Warning

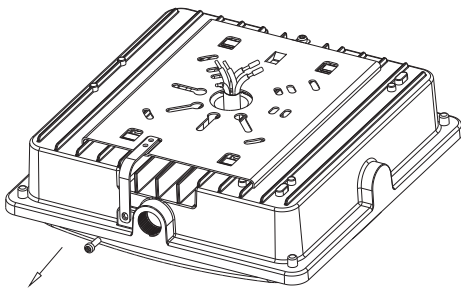
PLEASE READ ALL INSTRUCTIONS BEFORE ATTEMPTING INSTALLATION

- To prevent personal injury or product damage only licensed electricians should install.
- To avoid electric shock or component damage disconnect power before attempting installation or servicing.
- Disconnect product and allow cooling prior to servicing.
- To prevent product malfunction and/or electrical shock this product must be properly grounded.
- CONSULT A QUALIFIED ELECTRICIAN TO ENSURE CORRECT BRANCH CIRCUIT CONDUCTOR.

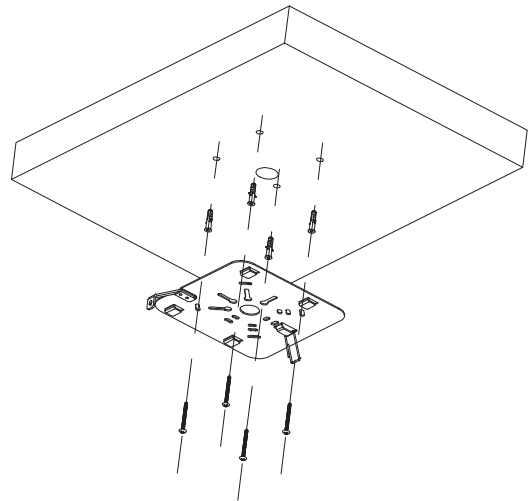


Surface Mount with Jbox

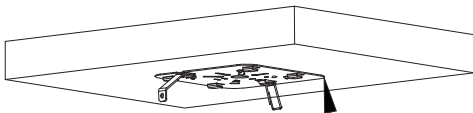
1. Loosen the screw on the side of the housing and pull out the connecting plate.



2. Fix the connecting plate onto the ceiling and put the wire through center hole.

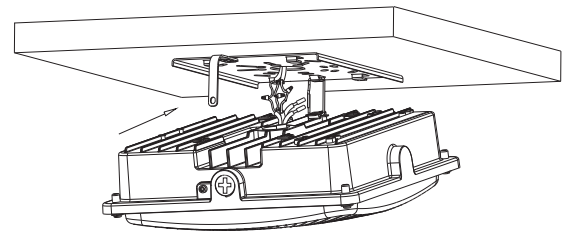


3. If you need to use the surface-mounted installation, a circle of sealant is needed around the edge of the fixed plate.

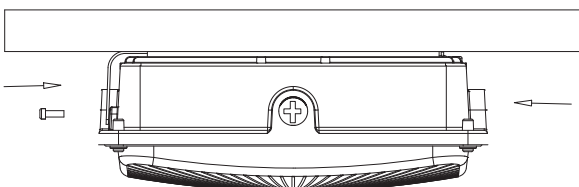


Put a circle of glue around the edge

4. Buckle the connecting plate into the clips and connect the wires as shown below. PS: Wire the dimming wires (DIM+/DIM-) if needed, otherwise hide them in junction box.



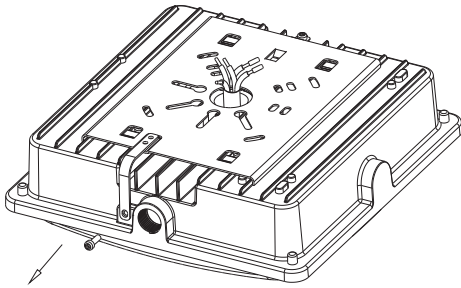
5. Slide lamp back into the connecting plate and fix the screw.



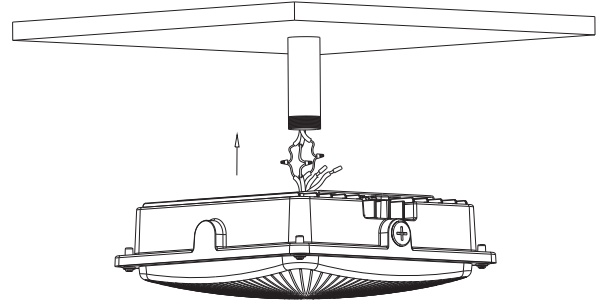
Black	○	Line
White	○	Neutral
Green	○	Ground
Purple	○	Dim +
Pink	○	Dim -

Pendent Installation with 3/4 inch conduit

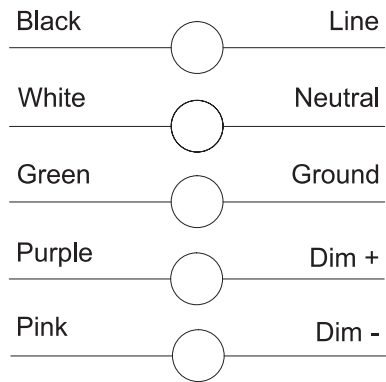
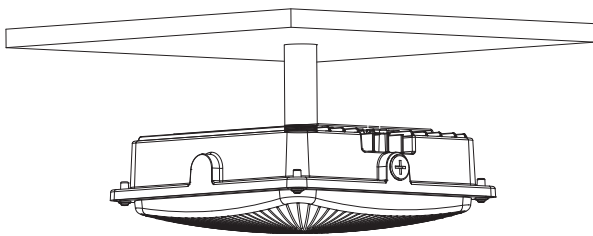
1. Loosen the screw on the side of the housing and pull out the connecting plate.



2. Connect the wires as shown below.
PS: Wire the dimming wires (DIM+/DIM-) if needed, otherwise hide them in junction box.



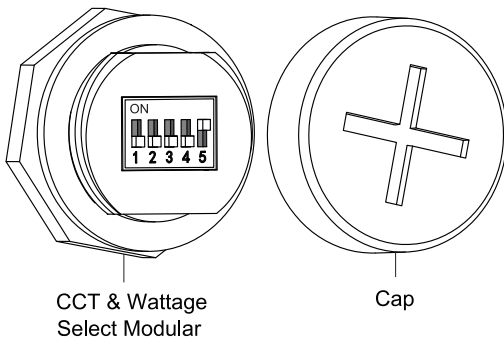
3. Screw the lamp and conduit pole together tightly.



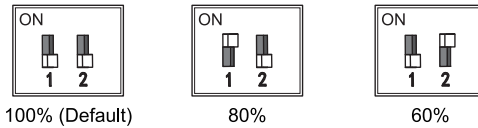
CCT & Power Select Guidance

Warning:

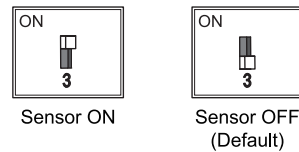
- 1. Select desired CCT & Power before operation!
- 2. Cap must be screwed back after CCT & Power selection!



Wattage Select



Photocell



CCT Select

