

LED FULL CUT-OFF WALLPACK

Specifications



Item	- 37320A
Model	- LED FULL CUT-OFF WALLPACK 36-48-60W 3CCT
Bulb Type	- LED
Input Voltage	- 120-277VAC 50/60Hz
Watts	- 36W/48W/60W SELECTABLE
Color Temp	- 3K/4K/5K SELECTABLE
CRI	- >80
Lumen	- 4680-6240-7800
Dimmable	- Yes, 0-10V (Used by the internal wattage switch)
UL Rating	- Suitable for Wet Locations
Length	- 14.20" (360.8 mm)
Width	- 6.02" (153mm)
Height	- 9.27" (235.5mm)
Ambient Operating Temp	- -40°F to 113°F (-40°C to 45°C)
Finish	- Bronze
Life	- 50,000 Hours
Surge Protection	- 4KV
Average Beam Angle	- 110°H x 90° V

Note

Any alteration or modification of this product is expressly forbidden as it may cause serious personal injury, death, property damage, and/or product malfunction.

This luminaire is designed to be horizontally mounted with the LEDs facing down.

This product is not suitable for several special environments, such as places with corrosive gas, liquids, or high pressure water vapor. Suitable for wet locations.

Warning

PLEASE READ ALL INSTRUCTIONS BEFORE ATTEMPTING INSTALLATION

- This fixture must be wired in accordance with the national electrical code and applicable local codes and ordinances.
- To prevent personal injury or product damage only licensed electricians should install.
- To avoid electric shock or component damage disconnect power before attempting installation or servicing.
- To prevent product malfunction and/or electrical shock this product must be properly grounded.
- RISK OF PERSONAL INJURY- Fixture may become damaged and/or unstable if not installed properly.



Installation

Step 1 Disassembly the wallpack by unscrewing the 2 screws on right side of the fixture, and put aside the front housing on a flat surface. (Fig1)

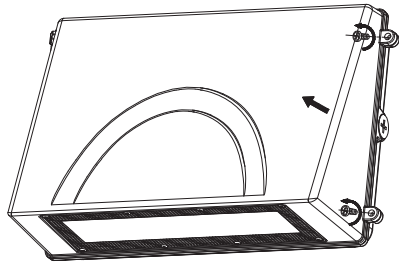


Fig1

Step 2 Method A Drill holes at the three "A" mounting points on the rear housing (Fig2), and drill holes on the wall as per the hole locations on the rear housing (Fig3).

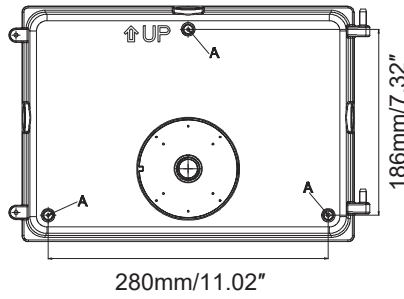


Fig2

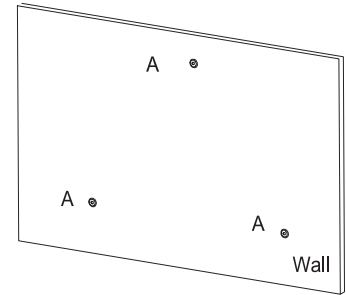


Fig3

Method B Drill holes as per existing junction box. (Fig4)

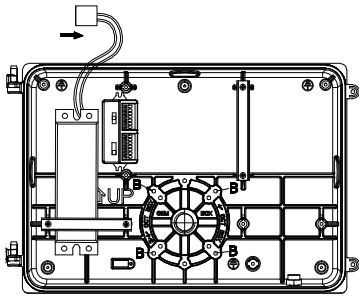


Fig4

Step 3 Feed wires through the 1/2" knock out (Fig5), and install the rear housing.

Method A Fix the rear housing on the wall by 3 screws (not provided) (Fig6).

Method B Fix the rear housing by 4 screws (not provided) to the existing junction box on the wall (Fig7).

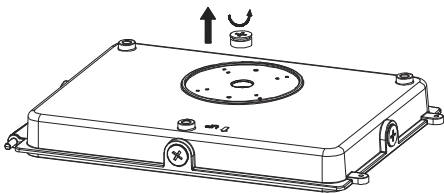


Fig5

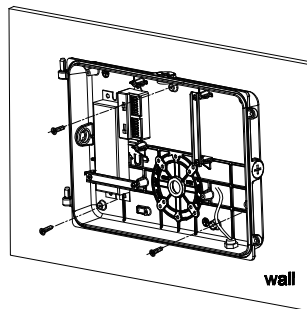


Fig6

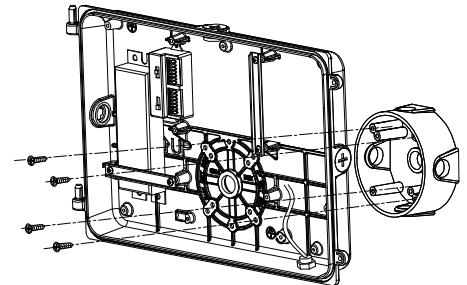


Fig7

LED FULL CUT-OFF WALLPACK

Step 4 Attach the front housing with the rear housing, and connect the male and female connectors. (Fig8)

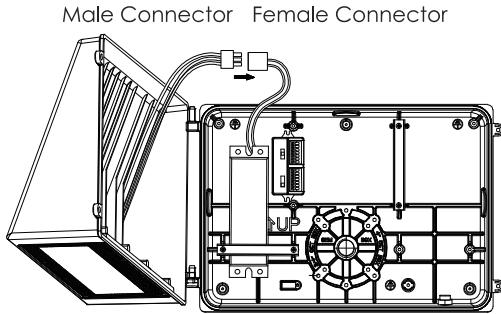


Fig8

Step 6 Check the fixture to see if it's working properly and lock it by tightening the 2 side screws. Installation is complete. (Fig10)

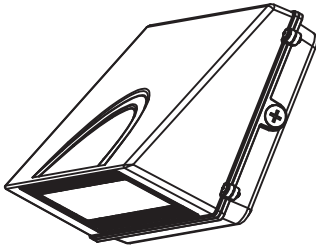


Fig10

Step 5 Choose your desired wattage and color temperature by the DIP switches. (Fig9)

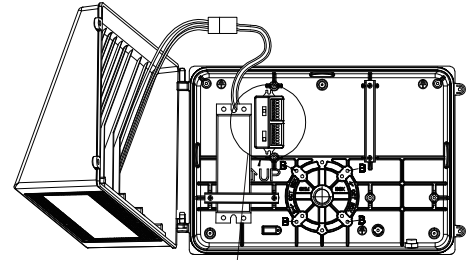
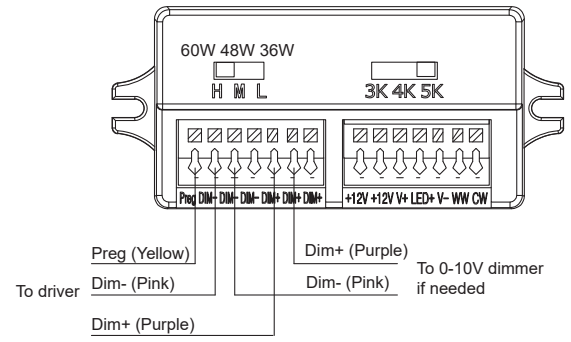


Fig9

CCT and power selectable switch
Wattage: 60W (Default) CCT: 5000K (Default)



See diagram for 0-10V dimming

Wiring Diagram

