

# LED HIGHBAY RETROFIT

## Specifications



Item	- 37322A
Model	- LED HIGHBAY RETROFIT
Bulb Type	- LED
Beam Spread	- 120°
Input Voltage	- 100-277VAC 50/60Hz
Watts	- 155W
Base Type	- EX39
Color Temp	- 5000K
CRI	- >80
Lumen	- 21000
Dimmable	- No
UL Rating	- Suitable for Dry/Damp Locations
Life	- 50,000 Hours
Ambient operating temp	- -40°F to 113°F (-40°C to 45°C)
Diameter	- 8.9" (226.06 mm)
Length	- 8.96" (227.58mm)
Surge Protection	- 4KV
	- Active cooling

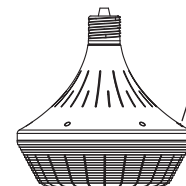
## Caution

- Use only with a portable table luminaire that is provided with a shade.
- This device is not intended for use with dimmers or remote controls.
- This device is not intended for use with emergency exits.
- Added weight of the device may cause instability of a free-standing portable luminaire.

## Warning

### Read These Instructions Completely and Carefully.

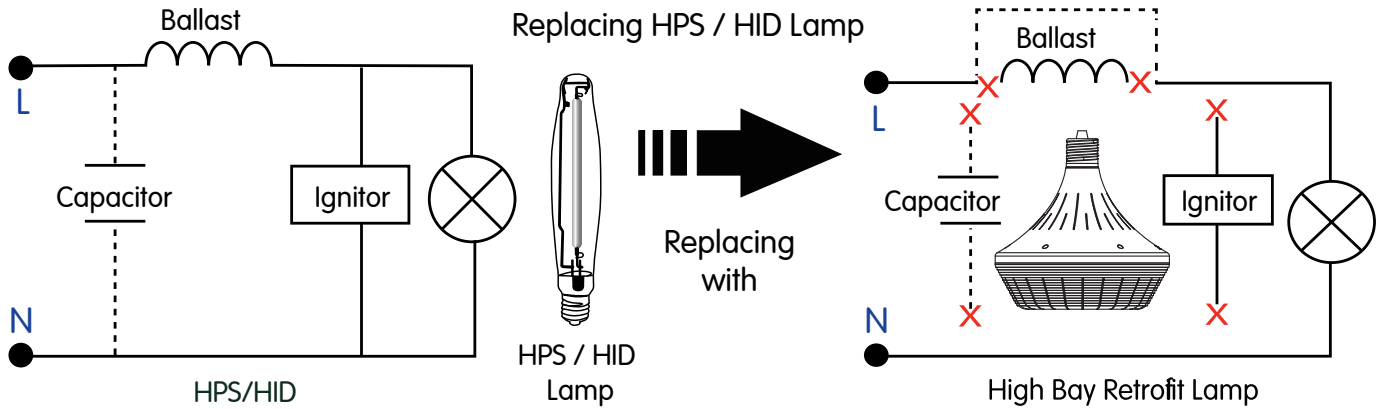
- Disconnect electrical power to fixture and follow proper lockout/tag out procedures before installation or maintenance. Contact a qualified electrician for installation.
- This device requires 100-277VAC input voltage.
- This device requires all ballasts, capacitors, and starters to be bypassed/removed.
- For dry or damp locations. DO NOT use where directly exposed to liquid, vapor, rain.
- This device is suitable for enclosed fixtures, minimum lamp compartment dimensions:  
For 155W: 11.81 inch (L) x 11.81 inch (W) x 9.69 inch (H)
- OPERATING TEMPERATURE: -40°C to 45°C (-40°F to 113°F)
- Base UP and Base Down use only.
- This device has active cooling.



### Plug & Play Safety cable

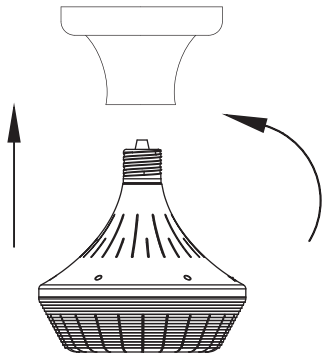
Must be installed  
for safety purpose

Wiring Diagram



Installation

Lamp Installation



Step:1

Shown as Figure 1  
Remove old ballast or disconnect from existing lamp holder. Remove and dispose of ballast in correct manner.  
(North America 100-277VAC)

Step:2

Shown as Figure 2  
Reconnect directly to the existing lamp holder.  
(North America 100-277VAC)

Step:3

Shown as Figure 3  
Install new LED replacement lamp. Please make sure the old fitting is correctly grounded.  
Attach the safety cable.  
(North America 100-277VAC)

