

### CAUTION:

Please read these instructions carefully prior to installation and retain for future reference.

This product has been tested to comply with ETL standards and meets FCC requirements.

### Included in this fixture

This fixture includes one LED Lamp, one junction box.

### WARNING:

Make sure the power is OFF before starting installation or attempting any maintenance.

LED ceiling panel is wet rated, while the junction box is only damp rated.

Ambient operating temperature: -13°F to 104°F (-25°C to 40°C)

Triac dimmable.

Type IC rated for direct contact with insulation.

### How to install

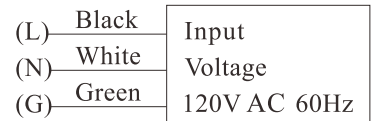
#### 1. Precautions

To ensure safety, please disconnect power before installation. -This product must be installed by a licensed electrician.

Tools required: saw, measuring tape and connector cables as needed etc.

#### 2. Steps:

- a. Cut a hole in the ceiling for the downlight as planned according to the design and local regulations. (Fig.1&2)
- b. Run the electrical wire from the switch through the mounting hole.
- c. Open the junction box and remove the appropriate knockouts.
- d. Insert the power supply wire through the knockout and fasten with a cable clamp as needed.
- e. Connect the ground wire to yellow-green wire in the junction box. Connect power leads in ceiling to the black and white wires in junction box (black on black etc). Secure with wire cap. (Fig.3, Figure A)
- f. Put all wires and connections back into the box and close the cover securely.
- g. Insert junction box through the mounting hole and secure to ceiling joist. (Fig.4, Figure B)
- h. Bend back the two torsion springs and insert the fixture into the hole in the ceiling. Slowly release the unit up into the ceiling, and the springs will hold the fixture in place.
- i. Once installation is complete, switch on power to confirm the lamp is working properly.



(Fig.3, Figure A)

Fig.1

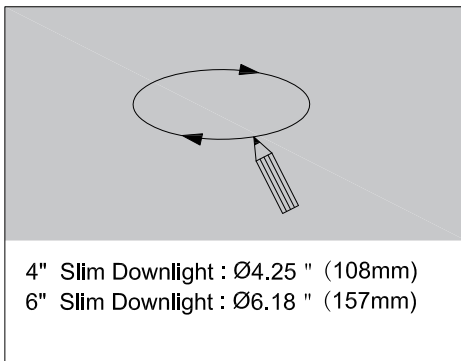


Fig.2

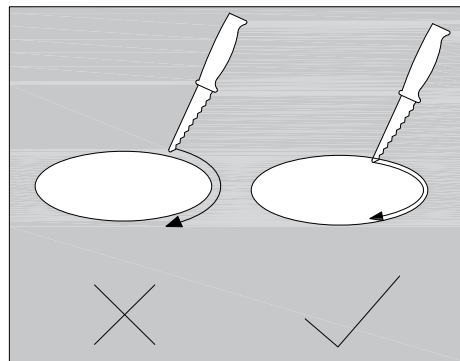


Fig.3

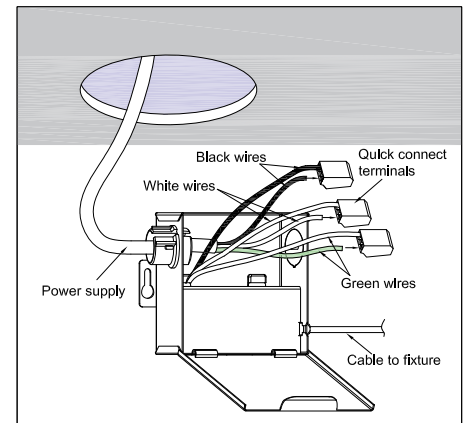


Fig.4

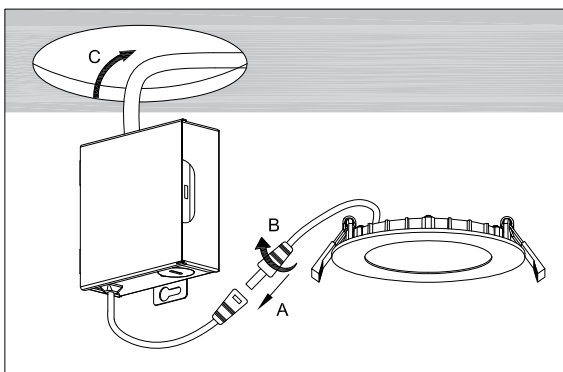


Fig.5

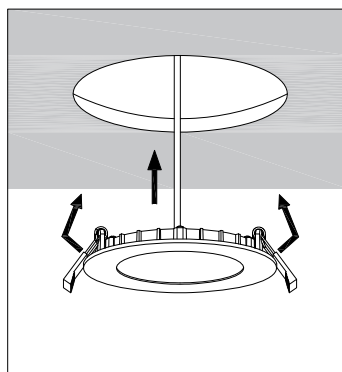


Fig.6

