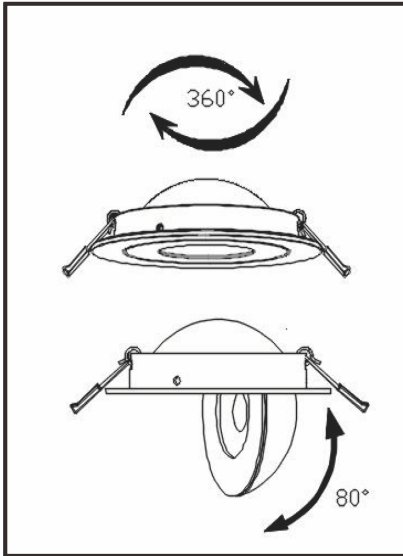


Installation Instruction



IMPORTANT: Read all instructions before installing fixtures. Retain for future reference.

Operation Temperature: -13°F to 104°F (-25°C to 40°C).

Suitable for damp locations.

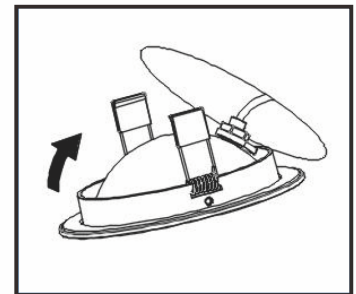
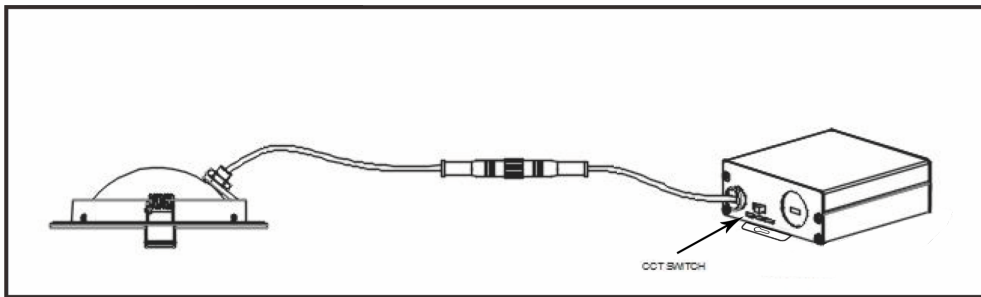
Suitable for insulated ceiling.

Type IC rated for direct contact with insulation.

Triac dimmable.

SAFETY: For your safety, this fixture must be wired in accordance to local electrical codes and ordinances. All work should be done by a qualified electrician.

WARNING: Make sure power is OFF from the electrical panel before starting installation or attempting any maintenance. For indoor installation only.



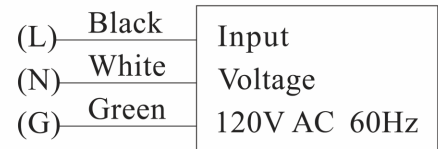
TOOLS REQUIRED:

- Saw
- Measuring Tape
- Electrical Wiring

(use type and gauge suitable for application to connect the fixtures).

Hole Cut Size:

4" Round: Ø 4 1/4" (108 mm)



(Figure A)

ASSEMBLY INSTRUCTIONS:

1. Risk of electric shock - turn off power before inspection, installation or removal.
2. Locate a suitable position to place the LED fixture and open a hole to the appropriate size.
3. Run the electrical wire from the switch (power supply), through the mounting hole using the appropriate power cable.
4. Open the junction box swing cover, and remove the appropriate knockout(s).
5. Insert the electrical supply cable through the knockout.
6. Wire the junction box using the supplied quick connect push terminals. Connect the green ground wire of the cable to the yellow-green wire of the junction box. Connect the neutral wire of the cable to the white wire of the junction box. Connect the Line wire of the cable to the black wire of the junction box. (Figure A)
7. Place all wiring and connections back into the box and close the cover.
8. The junction box shall be firmly secured to studs, joists, or similar fixed structural units as per local codes. (Figure C)
9. Release the clips, and the fixture will be pulled flush into the ceiling. (Figure D & E)
10. Once assembly is complete, turn on power to confirm fixture is working properly.

Fixture Includes:

- 1 LED Lamp
- 1 Junction Box

