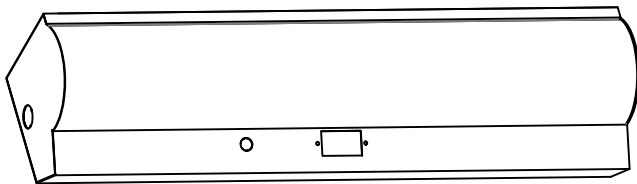


Specification

- Item - **37377A**
- Model - **LED STAIRWELL 2FT WATT/CCT Selectable**
- Bulb Type - **LED**
- Input Voltage - **120-277VAC 50/60Hz**
- Watts - **20/25/30W**
- Length - **23.9"(608mm)**
- Width - **4.9"(124.1mm)**
- Height - **5.6"(142.6mm)**
- Color Temp - **3500K-5000K**
- CRI - **≥ 80**
- Lumen - **2400/3000/3600lm**
- Lumen Efficacy - **120lm/w**
- Power Factor - **≥ 0.9**
- Finish - **White**
- Dimmable - **Yes, 0-10V**
- Damp Location - **Yes**
- Life - **50,000 Hours**
- Ambient Operating Temp - **32°F to 122°F (0°C to 50°C)**
- Surge Protection - **2KV**
- Average Beam Angle - **110°**
- **Motion sensor optional (37377B)**
- **Factory Installed Emergency Driver 16W**
- 32 hours re-charging time**
- 90 minutes discharge time**
- LiFePO4 battery 9.6V / 3000mAH**



37377A
LED STAIRWELL

DAMAR[®] Lighting
805 N Carnation Drive the World
Aurora, MO 65605

Installation Instruction

⚠ WARNING

- To reduce the risk of death, personal injury or property damage from fire, electric shock, falling parts, cuts/abrasions, and other hazards read all warnings and instructions included with and on the fixture box and all fixture labels.
- Before installing, servicing, or performing routine maintenance upon this equipment, follow these general precautions.
- Commercial installation, service and maintenance of luminaires should be performed by a qualified licensed electrician.
- For the installation: If you are unsure about the installation or maintenance of the luminaires, consult a qualified licensed electrician and check your local electrical code.
- To prevent wiring damage or abrasion, do not expose wiring to edges of sheet metal or other sharp objects.
- Do not make or alter any open holes in an enclosure of wiring or electrical components during kit installation.

⚠ WARNING

- Turn off electrical power at fuse or circuit breaker box before wiring fixture to the power supply.
- Turn off the power when you perform any maintenance.
- Verify that supply voltage is correct by comparing it with the luminaire label information.
- All wiring connections should be capped with UL approved wire connectors.

⚠ CAUTION

- Avoid direct eye exposure to the light source while it is on.
- Account for small parts and destroy packing material, as these may be hazardous to children.
- Risk of burn. Disconnect power and allow fixture to cool before changing / handling fixture.

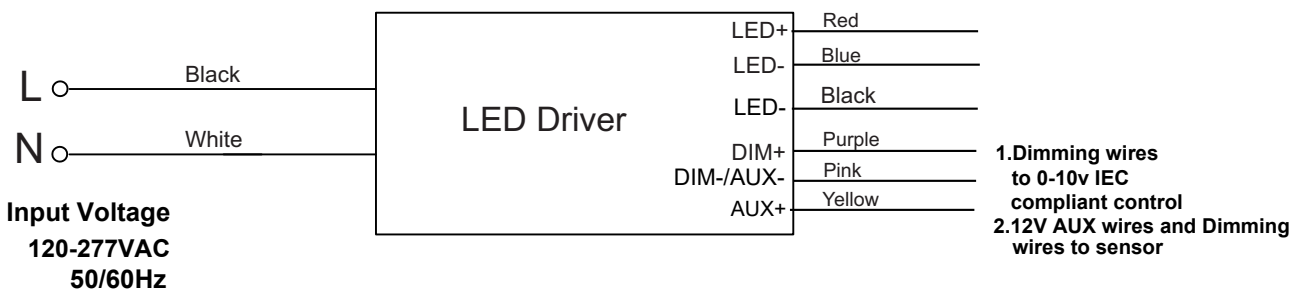
NOTICE: Green ground screw provided in proper location. Do not relocate.

NOTICE: Minimum 90°C supply conductors.

NOTICE: Specifications and dimensions subject to change without notice.

NOTICE: Suitable for Dry or Damp location.

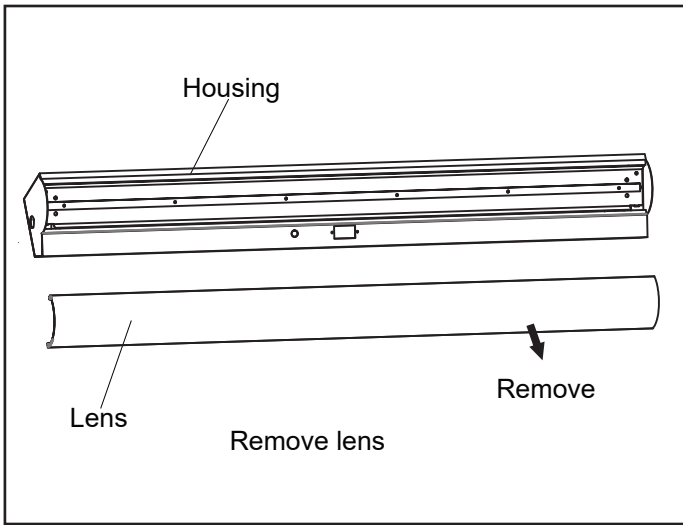
General Wiring Diagram



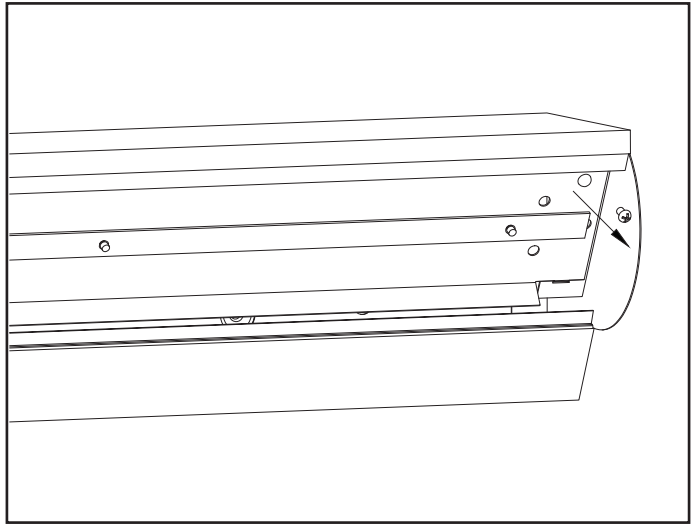
Installation Instruction

Wall Mounting

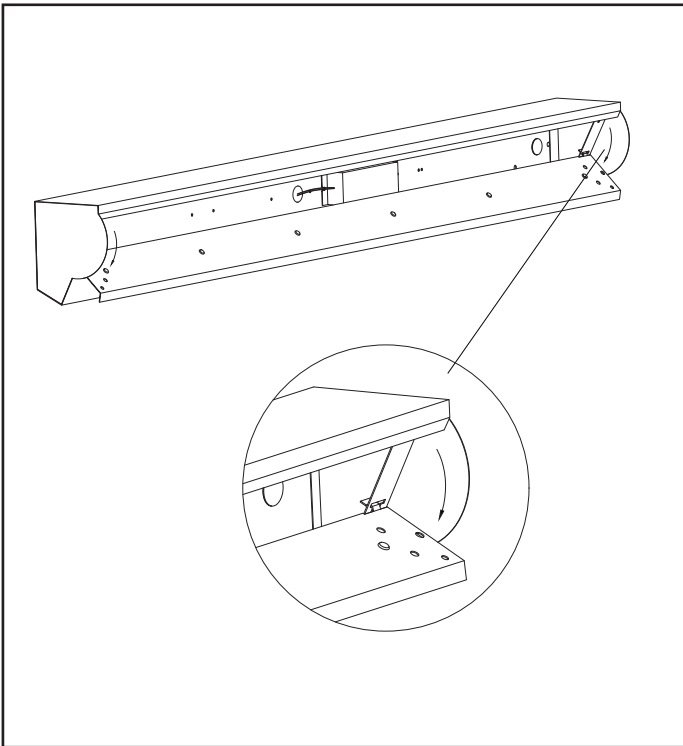
1. Remove the lens from the housing.



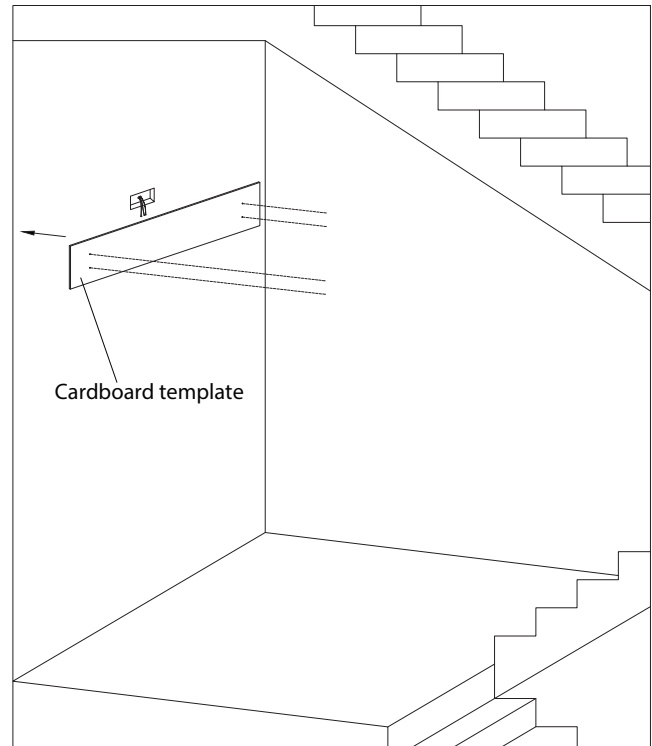
2. Loosen the two screws that hold the Module board.



3. Pull one side of the module board to flip the module board to the appropriate position.

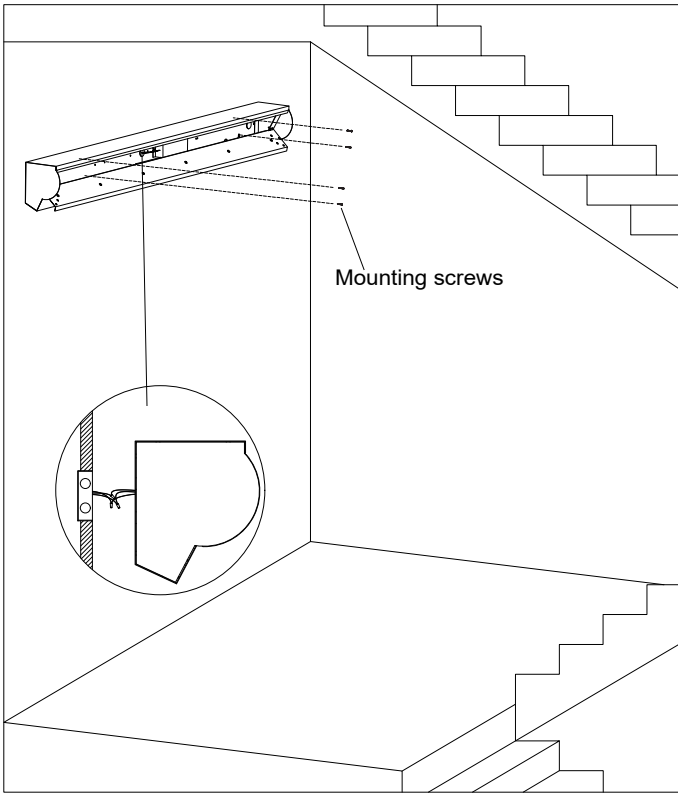


4. Drill four holes in the corresponding position on the wall according to the cardboard template provided by the manufacturer. Insert an anchor (not included) into each hole.

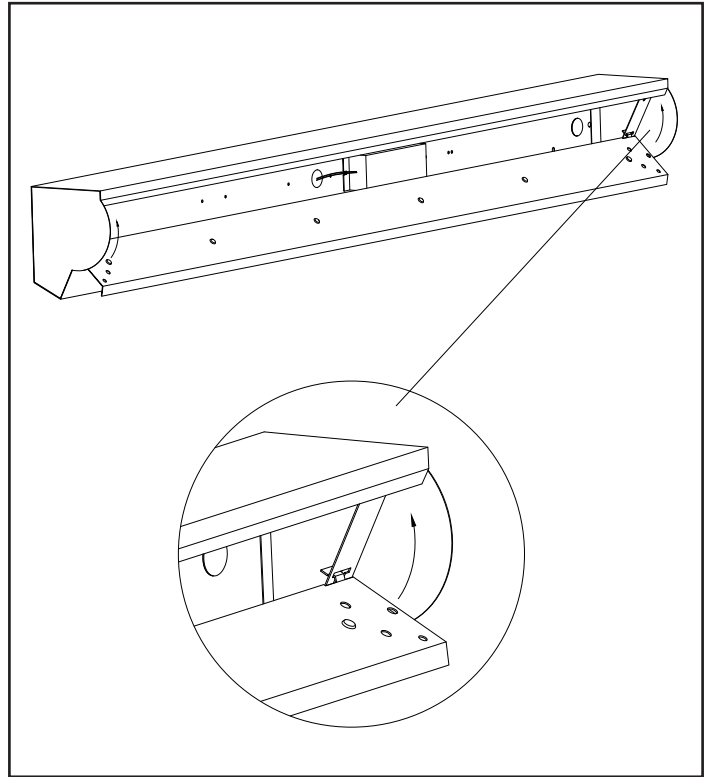


Installation Instruction

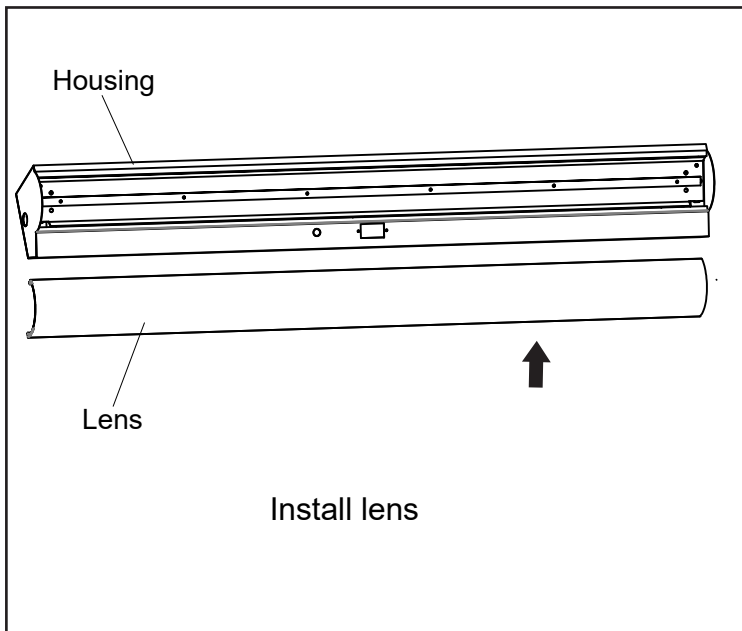
5. Screw the four mounting screws into each anchor then connect the AC wires.



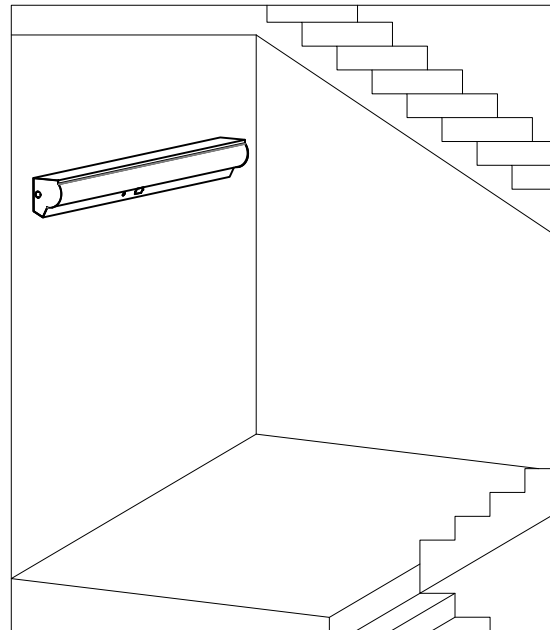
6. Push the module board to its original position and attach the module board to the bracket.



7. Install the lens.



8. The installation is complete.



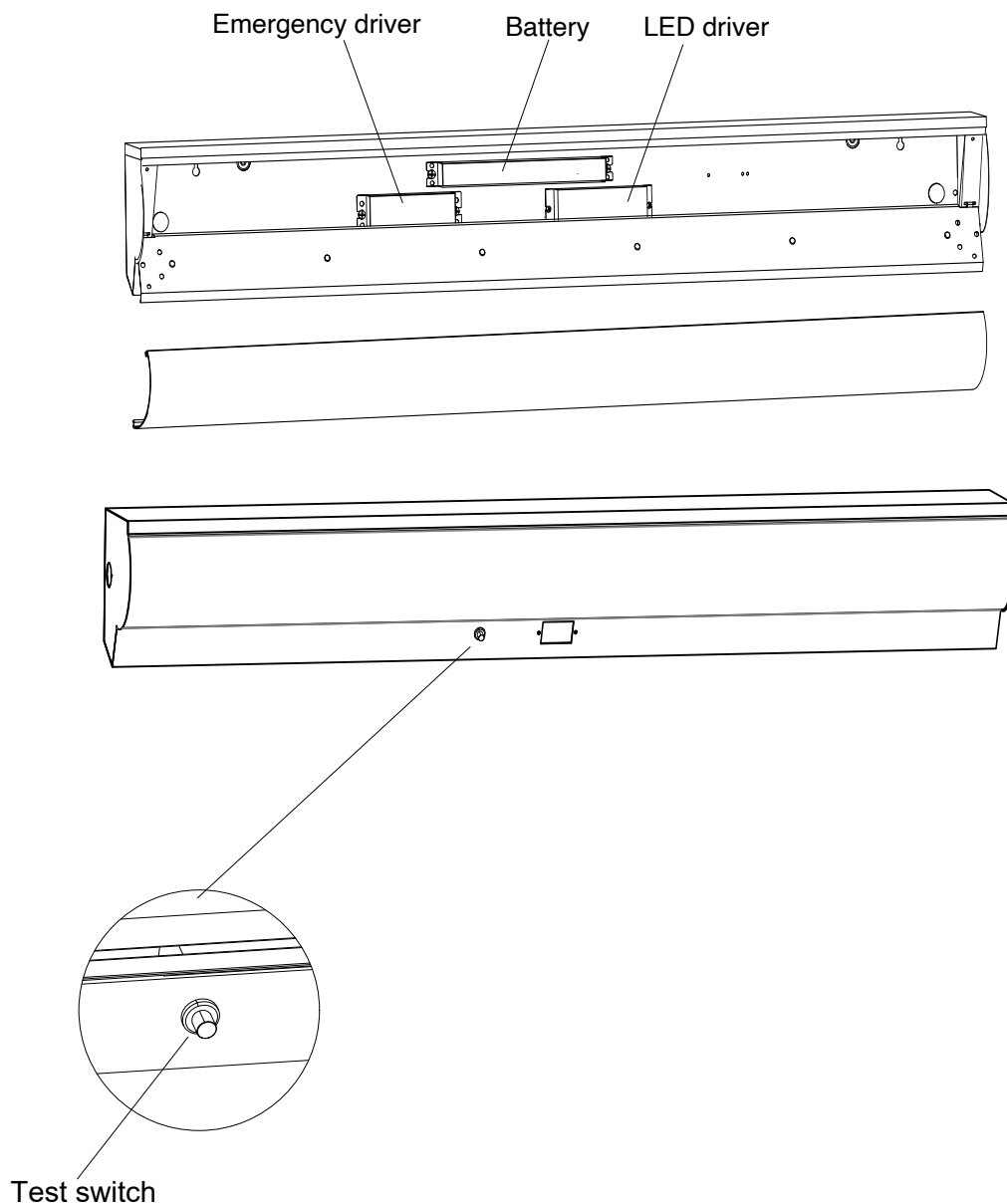
Installation Instruction

Emergency Battery Back-up (EM-0825-010/105-P2 + 16W-L)

Dimension (L x W x H): 9.37" x 1.22" x 1.20"

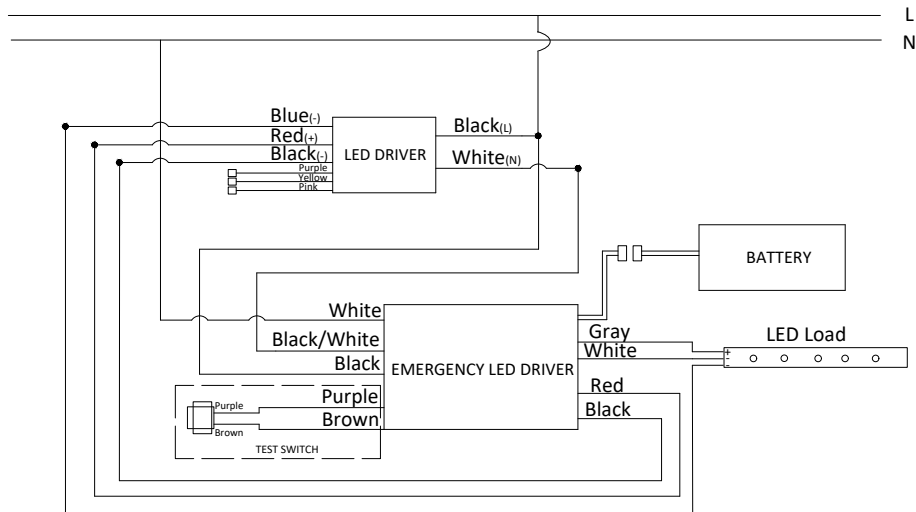
32 hours re-charging time

LiFePO4 battery 9.6V / 3000mAH



37377A
LED STAIRWELL

DAMAR[®] Lighting
805 N Carnation Drive
Aurora, MO 65605
the World



IMPORTANT SAFETY PRACTICES

PLEASE READ CAREFULLY AND FOLLOW ALL INSTRUCTIONS FOR YOUR OWN SAFETY

IMPORTANT : An un-switched AC power source of 120V AC to 277V AC is required.

- CAUTION: This device is designed for use in fixtures listed for dry and damp locations.
- CAUTION: Make sure all electrical connections conform to the National Electrical Code and all applicable local regulations.
- CAUTION: Do not let power supply cords touch hot surfaces.
CAUTION: Do not mount near gas or electric heaters.
- CAUTION: Battery is rechargeable LiFePO4 type and must be recycled or disposed of properly.
- Do not use this emergency driver with accessory equipment other than recommended by manufacturer. Failure to follow this may cause an unsafe condition. Servicing should only be performed by qualified service personnel.
- Do not use this emergency driver for other than intended use. Equipment should be mounted in locations and at heights where it will not readily be subjected to tampering by unauthorized personnel.