

LED LANDSCAPE FIXTURE

Specifications



Item - 37596A

Model - Led Bullet Fixture 15-20-25W 3CCT
- With Knuckle Mount and Stake

Bulb Type - LED

Beam Spread - 4H4V (60°)

Input Voltage - 120-277VAC 50/60Hz

Power Factor - ≥ 0.9

Watts - 15W/20W/25W Selectable

Color Temp - 3K/4K/5K Selectable

CRI - >70

Lumen - 1875/2500/3125

Dimmable - Yes, 0-10V

Photocell - Yes, On/Off Selectable

UL Rating - Suitable for Wet Location

Diameter - 5.55" (141mm)

Height - 14.37" (365mm)

Ambient Operating Temp - - 40°F to 113°F (- 40°C to 45°C)

Finish - Bronze

Life - 50,000 Hours

Surge Protection - 4KV

Caution

1. Wear gloves and safety glasses at all times when removing luminaire from carton, installing, servicing or performing maintenance.
2. Avoid direct eye exposure to the light source.
3. Account for small parts and destroy packaging material as they may be hazardous to children.
4. Keep combustible and other materials that can burn away from the luminaire and lamp/lens.
5. Consult a qualified electrician to ensure correct branch circuit conductor.
6. No user serviceable parts inside. To avoid electrical shock do not disassemble product.
7. To prevent injury or property damage from falling lamp, only use in fixtures that can structurally support this lamp.
8. The condition of the lampholder can affect the life hours of a bulb. Inspect the lampholder regularly for deterioration.
9. If deterioration has occurred, replace the lampholder immediately before continuing operation.

Precaución

1. Use guantes y gafas de seguridad en todo momento cuando retire la luminaria de la caja, la instale, realice el mantenimiento o realice tareas de mantenimiento.
2. Evite la exposición directa de los ojos a la fuente de luz.
3. Tenga en cuenta las piezas pequeñas y destruya el material de embalaje, ya que pueden ser peligrosos para los niños.
4. Mantenga combustibles y otros materiales que puedan quemarse lejos de la luminaria y la lámpara/lente.
5. Consulte un electrician qualifié pour vous assurer que le conducteur du circuit de dérivation est correct.
6. No hay piezas que el usuario pueda reparar. Para evitar una descarga eléctrica no desarme producto.
7. Para evitar lesiones o daños a la propiedad de la lámpara que cae, utilice únicamente en instalaciones que estructuralmente pueden apoyar esta lámpara.
8. La condición puede afectar a las horas de vida de la bombilla. Inspeccione regularmente el portalámparas para el deterioro.
9. Si el deterioro se ha producido, sustituir el portalámparas inmediatamente antes de continuar la operación.

LED LANDSCAPE FIXTURE

⚠ WARNING

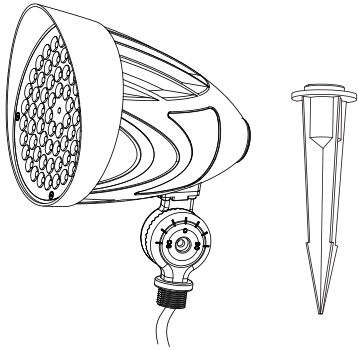
1. Risk of electric shock.
2. Turn off the power when you perform any maintenance.
3. Verify that supply voltage is correct by comparing it with the luminaire label information.
4. Make all electrical and grounded connections in accordance with the National Electrical Code and any applicable code requirements.
5. All wiring connections should be capped with UL approved wire connectors.

⚠ ADVERTENCIA

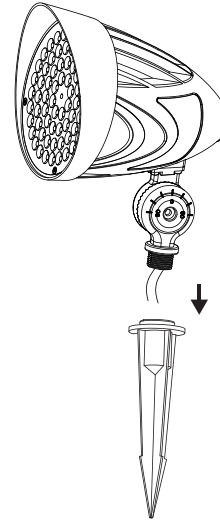
1. Riesgo de descarga eléctrica.
2. Apague la alimentación cuando realice cualquier tipo de mantenimiento.
3. Verifique que la tensión de alimentación sea correcta compárandola con la información de la etiqueta de la luminaria.
4. Realice todas las conexiones eléctricas y con conexión a tierra de acuerdo con el Código Eléctrico Nacional y cualquier requisito de código aplicable.
5. Todas las conexiones de cableado deben estar tapadas con conectores de cable aprobados por UL.

Mounting Instructions-Knuckle and Ground Stake Mount

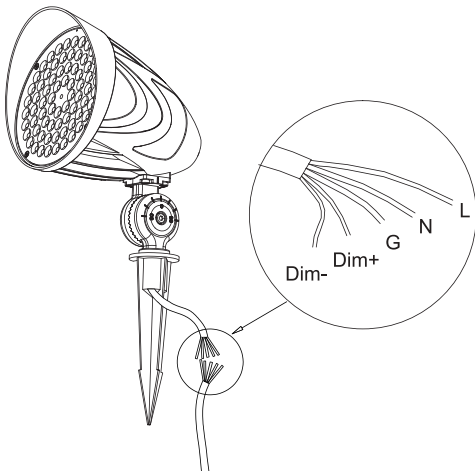
1. Unpack the bullet flood light from its packaging. Inspect product for defects due to shipping.



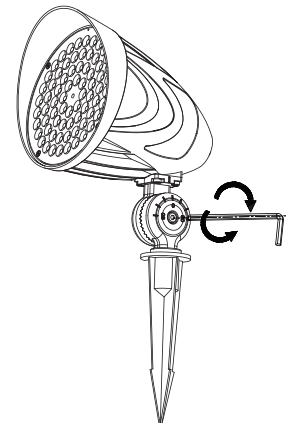
2. Thread fixture into ground stake as shown, and face the fixture in the preferred direction.



3. Connect the fixture input wires, per the wiring diagram below, ensure all connectors are secure.



4. Loosen the screw and adjust the fixture to desired angle, then retighten the screw.

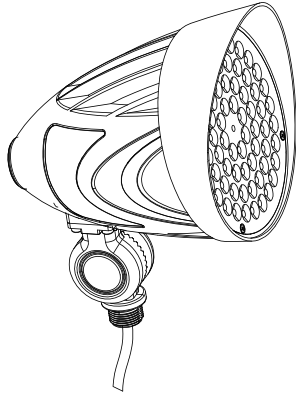


5. Turn on the electricity to verify your successful installation.

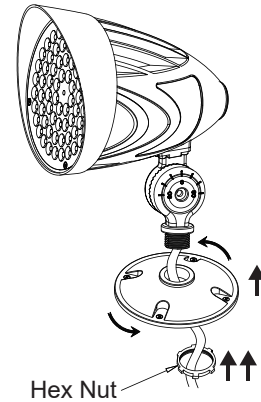
LED LANDSCAPE FIXTURE

Mounting Instructions-Knuckle Mount

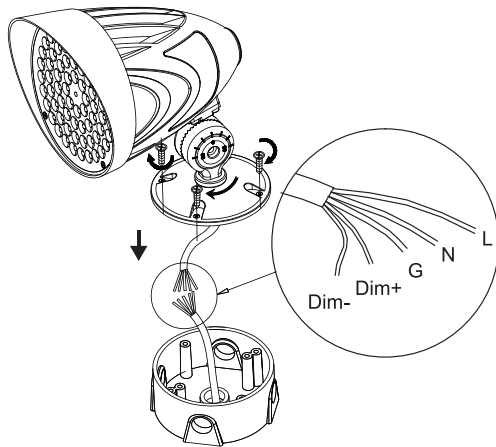
1. Unpack the bullet flood light from its packaging. Inspect product for defects due to shipping.



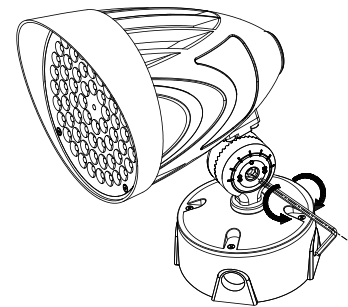
2. Thread the fixture into the cover plate(not provided), screw the hex nut(provided in the accessory bag), and face the fixture in the preferred direction.



3. Connect the fixture input wires, per the wiring diagram below, ensure all connectors are secure, then lock the junction box by the screws(not provided)



4. Loosen the screw and adjust the fixture to desired angle, then retighten the screw.



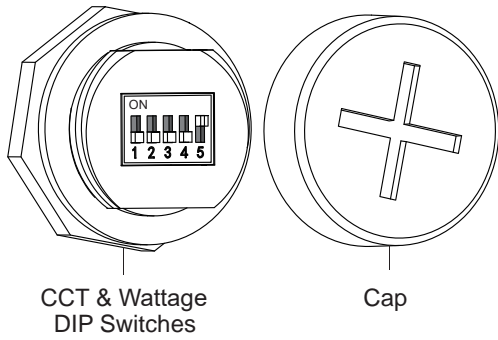
5. Turn on the electricity to verify your successful installation.

LED LANDSCAPE FIXTURE

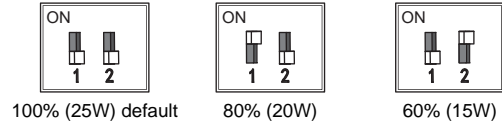
CCT & Power & Photocell Select Guidance

Warning:

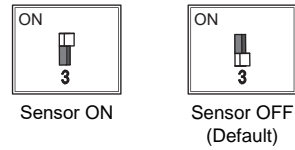
1. Select desired CCT & Wattage before operation! 2. Cap must be screwed back after CCT & Power selection!



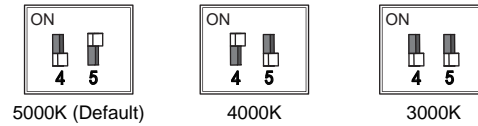
Wattage Select



Photocell



CCT Select



Wiring Diagram

