

Specifications



Item	- 37895A
Model	- LED SLIM WALLPACK 30/45/60W 3CCT
Bulb Type	- LED
Input Voltage	- 120-277VAC 50/60Hz
Watts	- 30W/45W/60W SELECTABLE
ColorTemp	- 3K/4K/5K SELECTABLE
CRI	- >80
Lumen	- 3750/5625/7500
Dimmable	- Yes, 0-10V
IP Rating	- IP65 (Suitable for wet locations)
Length	- 15.5" (395mm)
Width	- 4.2" (107mm)
Height	- 9.7" (248mm)
Ambient Operating Temp	- -40°F to 122°F (-40°C to 50°C)
Finish	- Black
Life	- 50,000 Hours
Surge Protection	- 4KV
Average Beam Angle	- 123°H x 103°V

Note

Any alteration or modification of this product is expressly forbidden as it may cause serious personal injury, death, property damage, and/or product malfunction.

This product is not suitable for several special environments, such as places with corrosive gas, liquids, or high pressure water vapor. Suitable for wet locations.

Warning

PLEASE READ ALL INSTRUCTIONS BEFORE ATTEMPTING INSTALLATION

- This fixture must be wired in accordance with the national electrical code and applicable local codes and ordinances.
- To prevent personal injury or product damage only licensed electricians should install.
- To avoid electric shock or component damage disconnect power before attempting installation or servicing.
- To prevent product malfunction and/or electrical shock this product must be properly grounded.
- RISK OF PERSONAL INJURY- Fixture may become damaged and/or unstable if not installed properly.



WARNING/ADVERTENCIA/AVERTISSEMENT

To reduce the risk of electrical shock, fire, or injury to persons; read and follow all warnings and installation instructions before installing. All installations should be performed by a qualified electrician.

Risk of Electric Shock

Ensure power is off before installation or inspection. All wirings are performed in accordance with National Electrical Code and local electrical code.

Risk of Fire

Fixtures are rated for use in 120-277V, 50-60Hz protected circuit and 75°C rated supply wire.

Para reducir el riesgo de descarga eléctrica, incendio o lesiones a personas, lea y siga todas las advertencias e instrucciones de instalación antes de realizarla. Toda instalación debe ser efectuada por un electricista cualificado.

Riesgo de descarga eléctrica

Asegúrese de desconectar la corriente antes de la instalación o inspección. Todos los cableados se realizan de acuerdo con el Código Eléctrico y el código eléctrico local.

Riesgo de incendio

Las luminarias están clasificadas para su uso con 120-277 V, circuitos protegidos de 50-60 Hz y cables adecuados para 75°C.

Lisez et suivez les instructions d'installation et les avertissements avant l'installation. Toute l'installations doit être exécutée par un électricien qualifié, pour réduire les risques de choc électrique, de feu ou de blessures corporelles.

Risque de choc électrique

Assurez-vous que le courant soit coupé avant l'installation ou l'inspection et que tout le câblage soit effectué en conformité avec le code d'électricité et le code local d'électricité.

Risque de feu

Les luminaires sont conçus pour une utilisation de 120 à 277 V, pour un circuit protégé de 50 à 60 Hz et pour une source d'alimentation de 75°C.

FOR YOUR SAFETY

While performing installations described, gloves, safety glasses or goggles should be worn.

PARA SU SEGURIDAD

Mientras realice las instalaciones descritas, se recomienda el uso de guantes y gafas de seguridad.

POUR VOTRE SÉCURITÉ

Vous devriez porter des gants et des verres de protection lors des installations détaillées.

Install this kit only in the luminaire that has the construction features and dimensions shown in the photographs and/or drawings. Do not make or alter any open holes in an enclosure of wiring or electrical components during kit installation.

To prevent wiring damage or abrasion, do not expose wiring to edges of sheet metal or other sharp objects.

Do not alter, relocate, or remove wiring, lampholders, power supply, or any other electrical component.

SUITABLE FOR WET LOCATIONS.

Instale este kit solo en la luminaria que tiene las características de construcción y dimensiones que aparecen en las fotografías y/o dibujos. No realice ni altere los agujeros abiertos en un recinto de cableado ni en cualquier componente eléctrico durante la instalación del kit.

Para evitar daños en el cableado o abrasiones, no exponga el cableado a hojas de metal laminado u otros objetos cortopunzantes.

No altere, reubique o elimine cables, portalámparas, tomacorriente o cualquier otro componente eléctrico.

APTO PARA LUGARES HÚMEDOS.

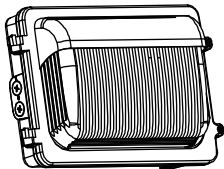
Installez cet ensemble seulement dans un luminaire qui possède les caractéristiques de construction et les dimensions telles que démontrées sur les photographies et/ou dessins. Ne pas percer de trous ou modifier les trous existants dans un boîtier ou des composants électriques durant l'installation de l'ensemble.

Pour prévenir les dommages ou l'abrasion, ne pas mettre en contact le câblage avec des bords de plaques de metal ou tout autre objet coupant.

Ne pas modifier, délocaliser ou enlever du câblage, des supports de lampes, une source d'alimentation ou tout autre composant électrique.

CONVIENT AUX ENDROITS HUMIDES.

INSIDE THE BOX



(1) Fixture

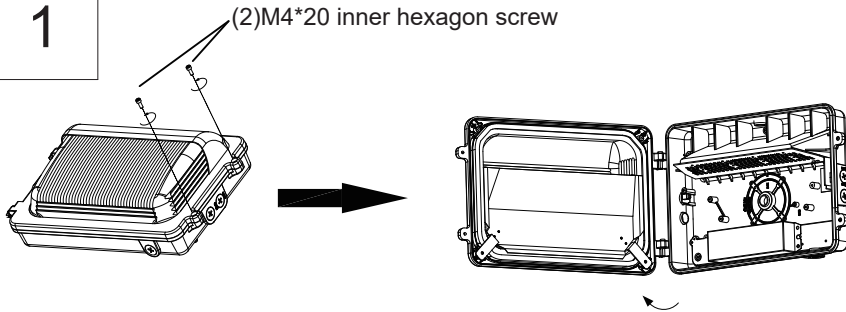


(1) EVA Gasket

INSTALLATION

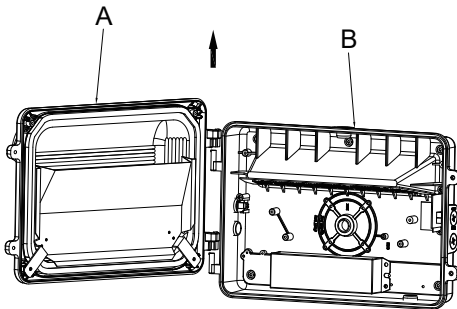
Disconnect the power before installation. Exploded view of completed assembly with component call out. 1, 2, 3, etc.

1



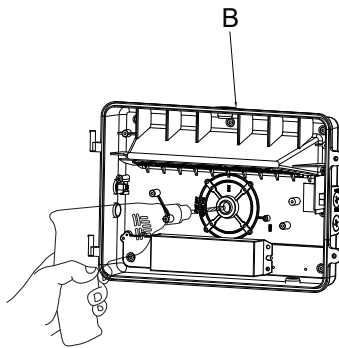
Remove (2)M4*20 inner hexagon screws and open the fixture.

2



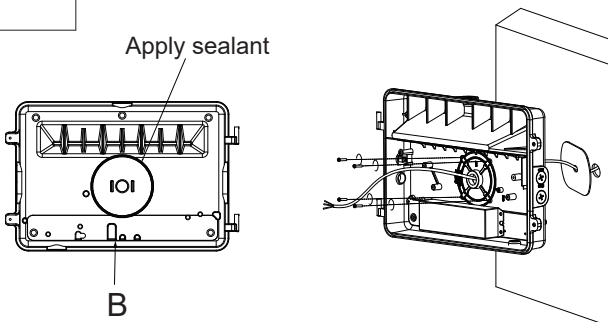
Separate A from B.

3

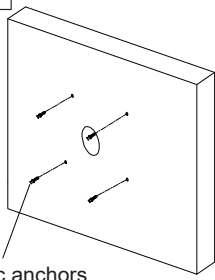
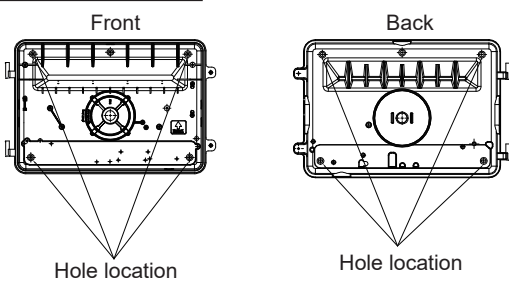
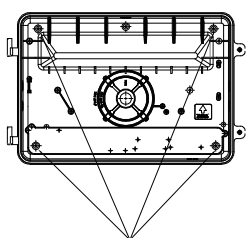
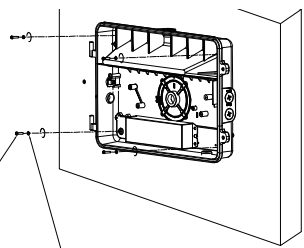
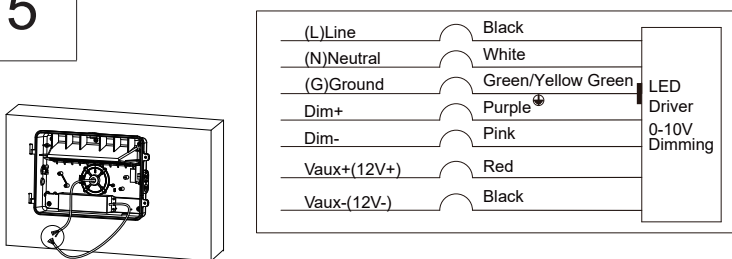


Prepare the back plate for mounting by drilling or knocking out the appropriate hole.

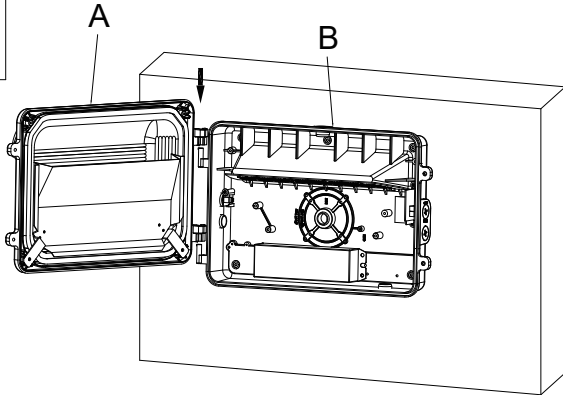
4



Apply sealant here, align it with the mounting position. Pass the input wire through the gasket and the hole of part B, and attach the housing to the wall or junction box with screws (Not included).

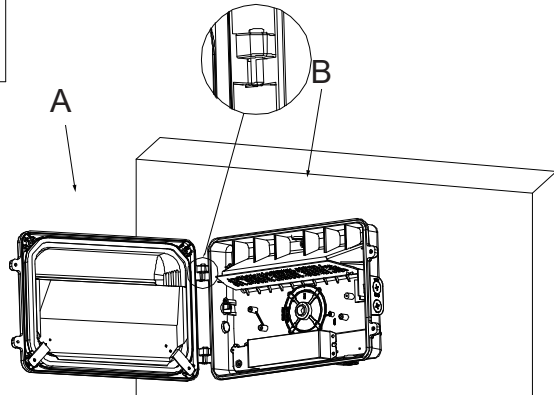
Optional installation - 1	 <p>(4) Plastic anchors</p>	<p>Drill holes into the wall and insert plastic anchors (Not included).</p>
Optional installation - 2	 <p>Front Back</p> <p>Hole location Hole location</p>	<p>Drill holes into the housing as indicated.</p>
Optional installation - 3	 <p>Apply sealant here</p>	<p>Apply sealant to the indicated locations.</p>
Optional installation - 4	 <p>(4) M4*30 screw (Not included) (4) Gasket</p>	<p>Use M4*30 screws and the gasket to attach the back housing to the wall.</p>
5	 <p style="margin-left: 20px;">(L) Line Black (N) Neutral White (G) Ground Green/Yellow Green Dim+ Purple Dim- Pink Vaux+(12V+) Red Vaux-(12V-) Black</p> <p style="margin-left: 150px;">LED Driver 0-10V Dimming</p>	<p>Connect wires according to the wiring diagram.</p>

6



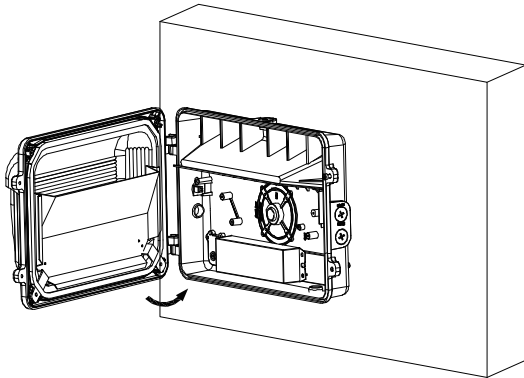
Put part A back onto the hinge of part B.

7



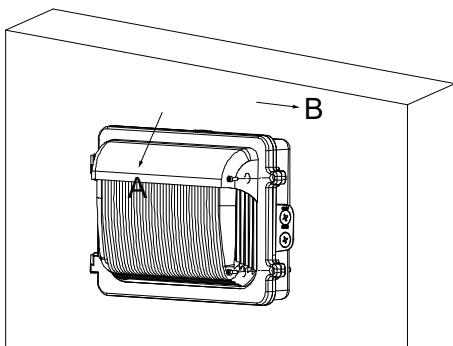
Check the hinge to properly mount part A onto part B.

8



Close the fixture.

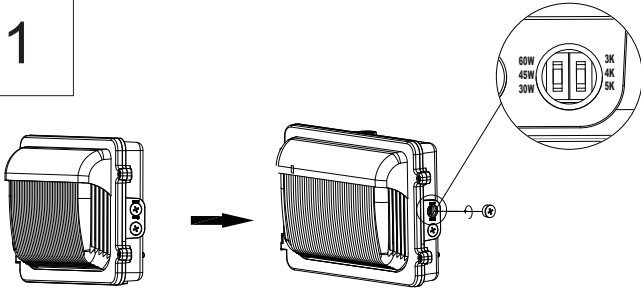
9



Attach part A and part B using the included (2) M4*20 hex head screws.

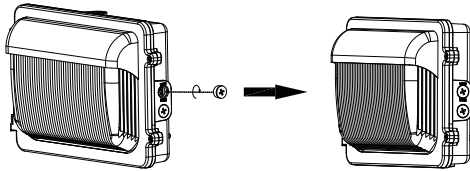
Adjust Wattage and Kelvin

1



Remove 1/2" NPT plug, adjust wattage and CCT switch according to your requirements.
Default Setting:
CCT: 5000K Watts: 60W

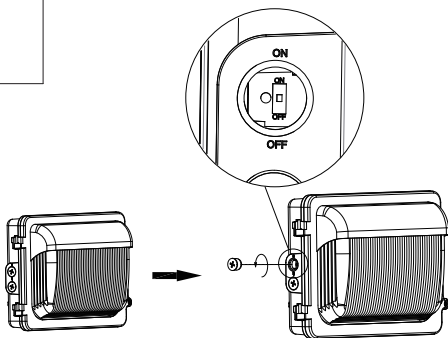
2



Screw the 1/2" NPT plug back in when finished adjusting the wattage and CCT.

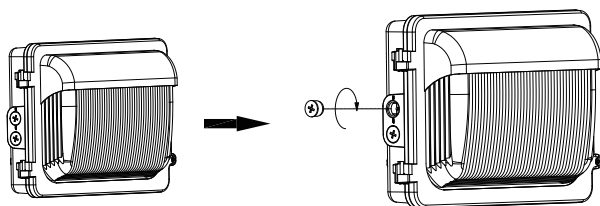
Photocell Function

1



Unscrew 1/2" NPT transparent photocell.
Switch ON/OFF according to your requirement.
Default Setting:
OFF

2



Screw the 1/2" NPT transparent photocell plug in when finished selecting, on or off.