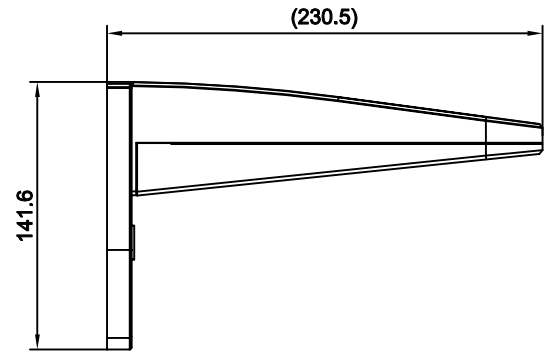
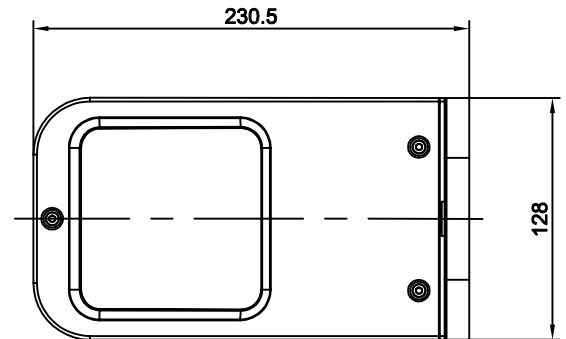


### FEATURES AND SPECIFICATIONS

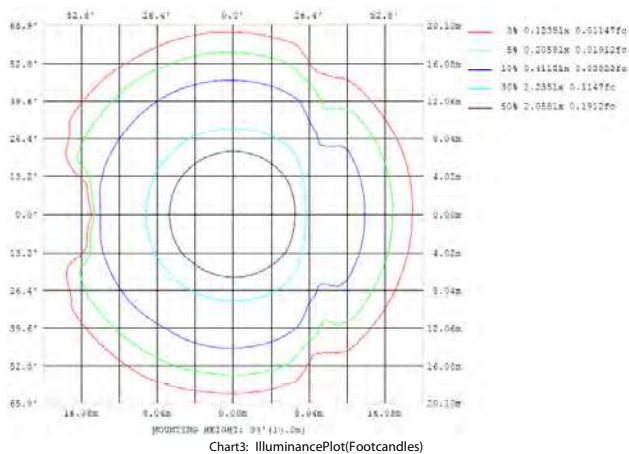


**Overall Height: 5.55 in. (141.0mm)**  
**Width: 4.96 in. (126.0mm)**  
**Weight: 2.4 lbs. (1.0886 kg.)**  
**Die Cast Aluminum Housing**  
**Gasketed Glass Lens**  
**Low Maintenance**  
**Wet Location Rated**  
**ETL Listed**  
**DLC Multiple Listing**  
**Limited Warranty: This fixture is warranted to be free of defects in materials and workmanship for a period of (5) years from the date of the original purchase**

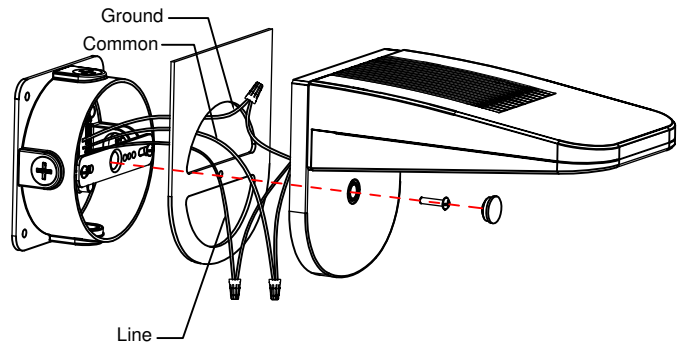
### DIMENSIONS



### PHOTOMETRICS



### MOUNTING DETAILS



All units may operate at 120V to 240V, 50 or 60Hz.

1. Connect the black fixture lead to the (+) LINE supply lead.
2. Connect the white fixture lead to the (-) COMMON supply lead.
3. Connect the bare copper Ground wire from fixture to supply ground.



### 38659A DESCRIPTION



**Wattage: 11 W**  
 **CCT: 4000K**  
 **CRI : 80**  
 **Avg Life Hrs: 50,000**  
 **Avg Lumens: 850**  
 **Voltage: 120-277V**  
 **Hertz: 50/60 Hz**