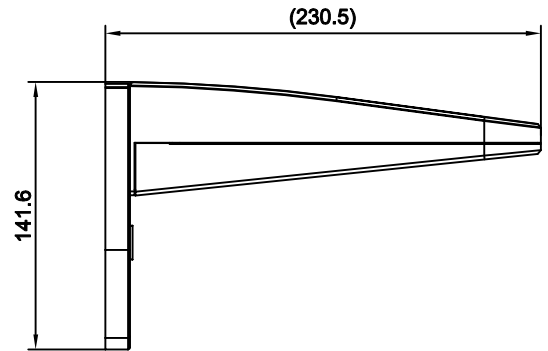
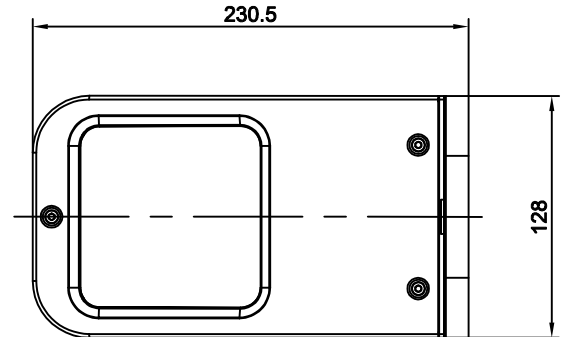


FEATURES AND SPECIFICATIONS

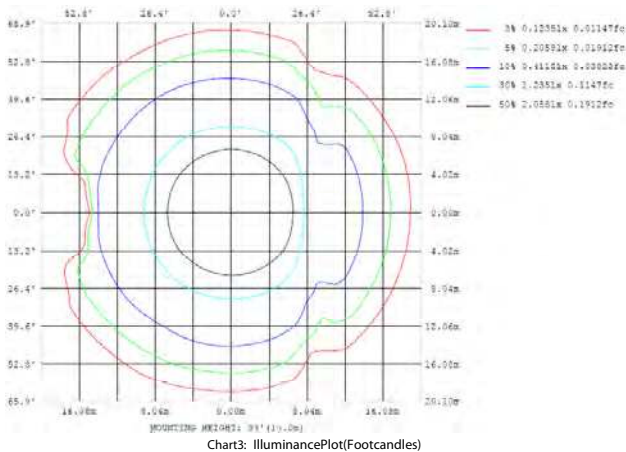


Overall Height: 5.55 in. (141.0mm)
Width: 4.96 in. (126.0mm)
Weight: 2.4 lbs. (1.0886 kg.)
Die Cast Aluminum Housing
Gasketed Glass Lens
Low Maintenance
Wet Location Rated
ETL Listed
DLC Multiple Listing
Limited Warranty: This fixture is warranted to be free of defects in materials and workmanship for a period of (5) years from the date of the original purchase

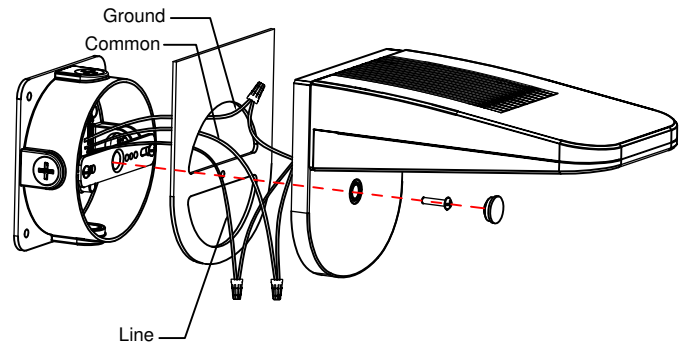
DIMENSIONS



PHOTOMETRICS

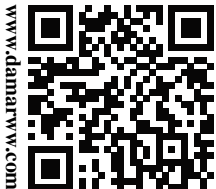


MOUNTING DETAILS



All units may operate at 120V to 240V, 50 or 60Hz.

1. Connect the black fixture lead to the (+) LINE supply lead.
2. Connect the white fixture lead to the (-) COMMON supply lead.
3. Connect the bare copper Ground wire from fixture to supply ground.



38660A DESCRIPTION



Wattage: 20W
CCT: 4000K
CRI: 80
Avg Life Hrs: 50,000
Avg Lumens: 1400
Voltage: 120-277V
Hertz: 50/60 Hz