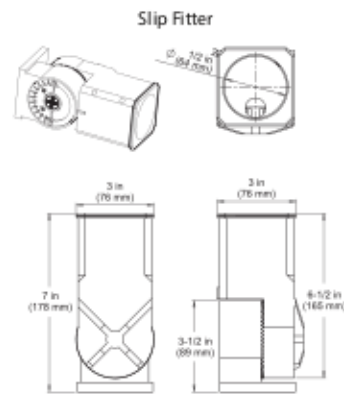
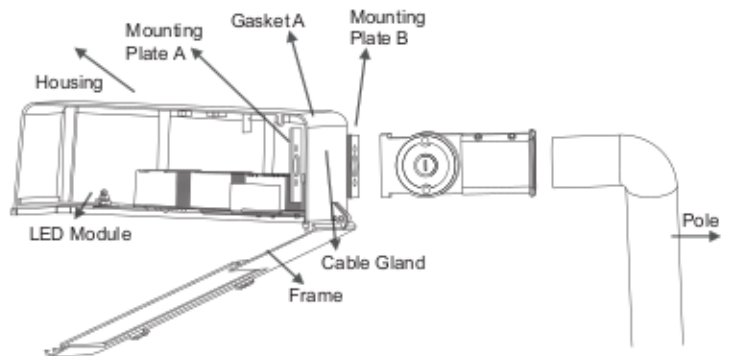


FEATURES AND SPECIFICATIONS

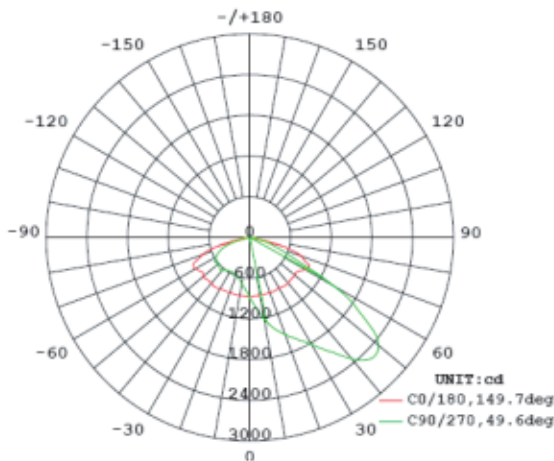


Overall Height: 5.25 in. (133.35mm)
Length: 12.25 in. (311.15mm)
Width: 12.15 in. (308.61mm)
Weight: 14 lbs. (6.35029kg)
High-Powered LED array
Die Cast Aluminum Housing
Tempered Glass Lens
Low Maintenance
Operating Temperature -40°F to 122°F
Photocell Sensor Compatible
IP 65 Rated
This fixture is warranted to be free of defects in materials and workmanship for a period of 5 years from the date of the original purchase.

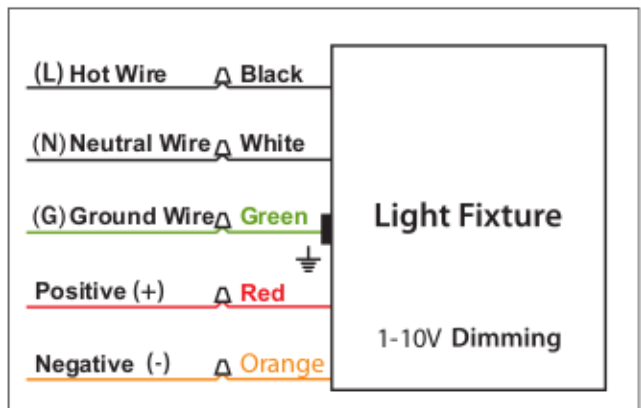
DIMENSIONS



PHOTOMETRICS



WIRING DETAILS



38701A
LED SHOEBOX/FLOOD 75W/4K



Wattage: 75W
 CCT: 4000K
 CRI: 70
 Avg Hours: 50,000
 Avg Lumens: 6000
 Voltage: 120-277V
 Hertz: 50/60Hz

DAMAR®
 805 N Carnation
 Aurora, MO 65605
 Made in China

DAMAR®

LED SHOEBOX/FLOOD 75W/4K



WARNING

1. Ensure power is off before starting installation, wiring or attempting any maintenance.
2. Installation should be performed by a person familiar with the construction and operation of the product and hazards involved to ensure personal safety.
3. All wiring should be performed by a qualified electrician.
4. Fixture should be located at least 18" below any overhang or other structural detail and should not be recessed.
5. This fixture is for outdoor use and should not be used in areas with limited ventilation or high ambient temperatures.

Installation

1. Turn off the power
2. Assemble slip fitter and gasket to Housing using hardware provided
3. Assemble lower fitter onto the upper fitter after removing splice compartment cover.
4. Slip lower fitter over tenon and securely tighten the screws.
5. Connect the output lines (Diagram 1)
 - Fire wire (L) to the Black line
 - Neutral wire (N) to the White line
 - Ground wire (G) to the Green line
 - Positive (+) to the Red line
 - Negative (-) to the Orange line
6. Dimmer wiring and the branch circuit wiring in the same wiring compartment shall be permanently separated a minimum 6.4 mm
7. Adjust the fixture for appropriate light angles and tighten the screws. (Figure 1)
8. Turn on the power

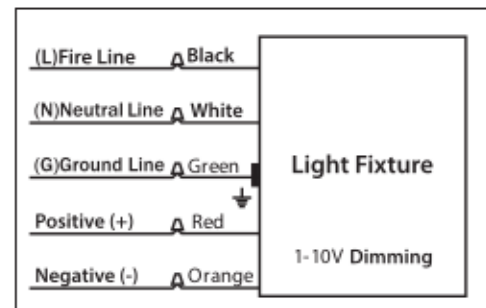


Diagram 1

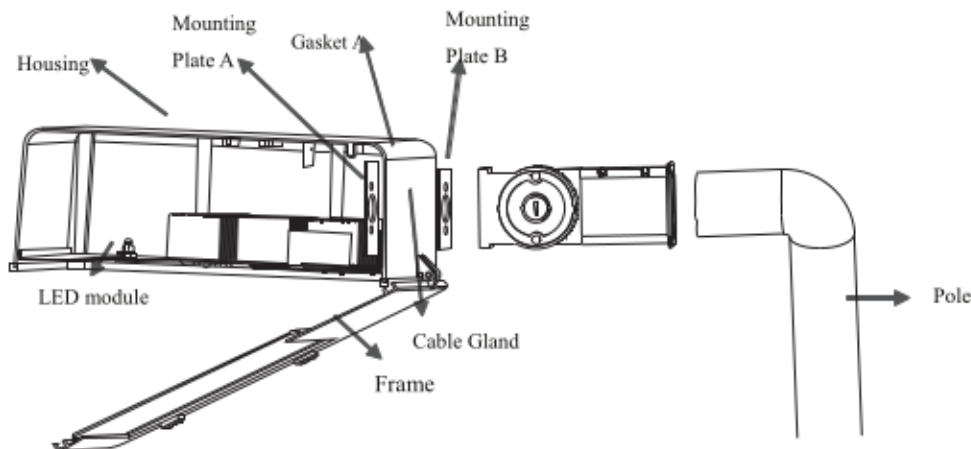


Figure 1