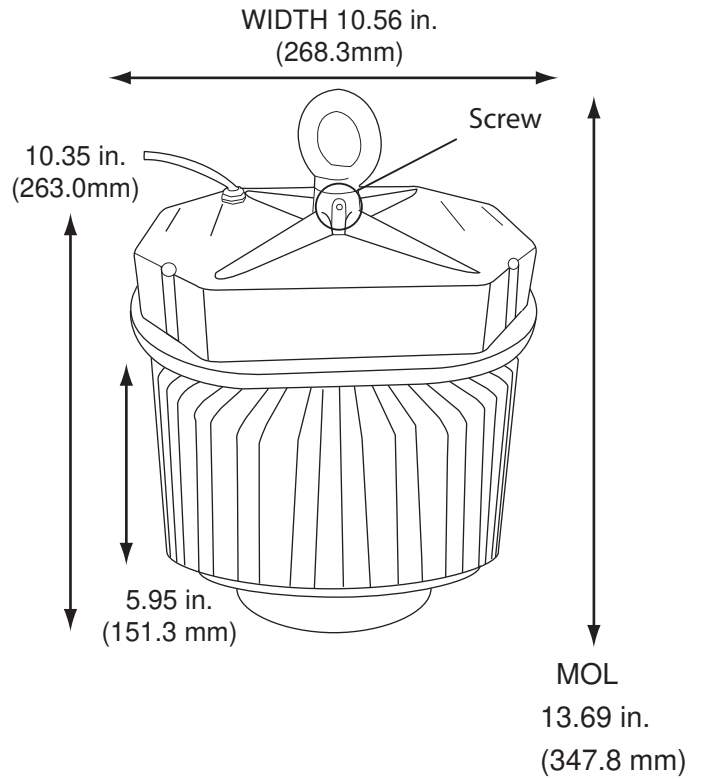


### FEATURES AND SPECIFICATIONS

### MOUNTING DETAILS

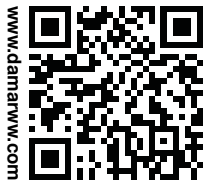
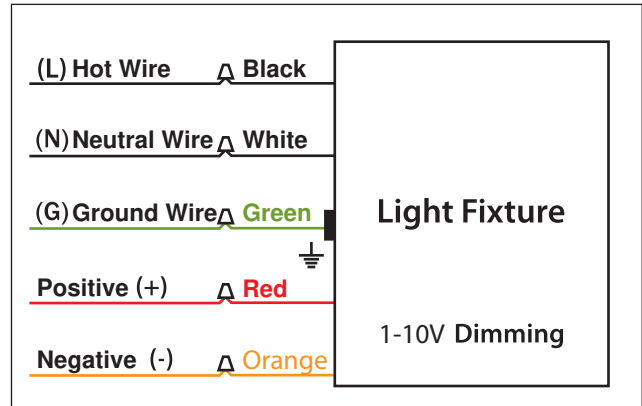
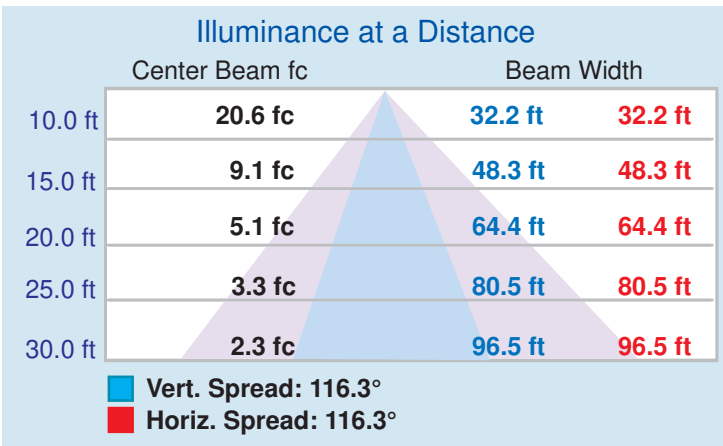


- Weight: 14.6 lbs. (6.62 kg.)
- High-Powered LED Array
- Low Maintenance
- Excellent thermal design
- Operating Temperature -40°F to 130°F
- Aluminum Die-Cast Powder Coated Housing
- Extended 5-Foot Power Cable
- Photocell /Motion Sensor Compatible
- 0-10V Dimming
- Anti-Corrosion (IP 67 Rated)



### PHOTOMETRICS

### WIRING DETAILS



**38703A**  
LED HIGHBAY 200W/4K

Wattage: 200W  
 CCT: 4000K  
 CRI : 70  
 Avg Hours: 50,000  
 Avg Lumens: 19000  
 Voltage: 120-277V  
 Hertz: 50/60Hz

**DAMAR®**  
805 N Carnation  
Aurora, MO 65605  
Made in China