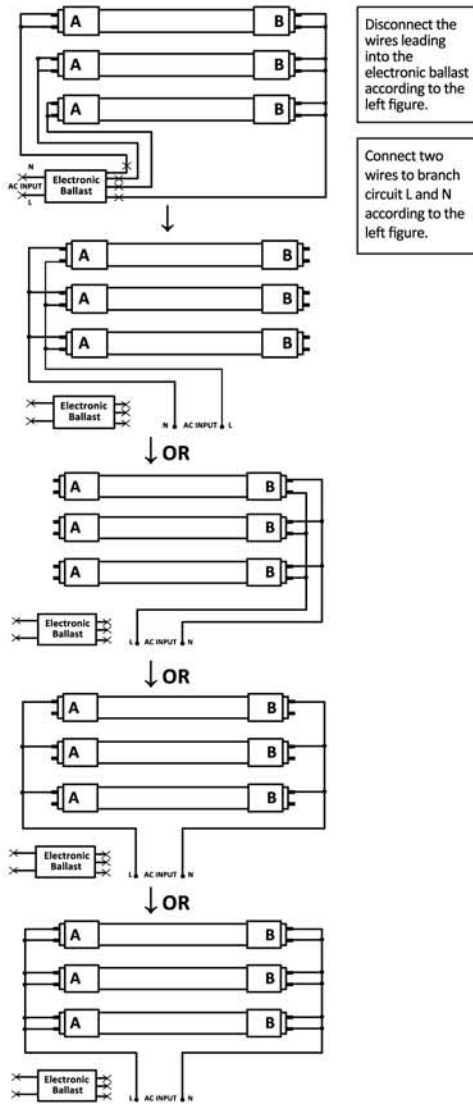
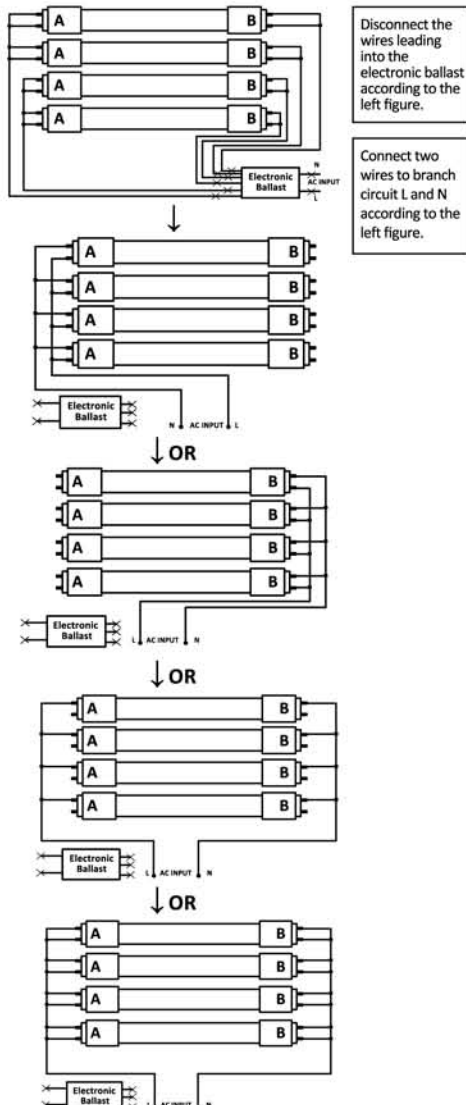


d. Retrofit luminaire with three lamps and one electronic ballast



e. Retrofit luminaire with four lamps and one electronic ballast



4. INSERT LED TUBES

- Read label on the LED tube to ensure the power end of LED is aligned with powered tube socket, then insert LED lamp in the normal way by sliding pins into sockets and rotating a quarter turn until LED tube locks in place.
- LED lamps are now fully installed.
- Replace troffer lens, if present.
- After modification completed. Attach the Replacement Marking and Cautionary Label to a visible place on the luminaire and keep it visible after installation.

5. RESTORE THE POWER OF LUMINAIRE

Restore power to circuit/luminaire and test light. If necessary, adjust position of LED tube, and enjoy your new LED tube light!

Ballast Compatibility List

| MANUFACTURER | PART NUMBER | MANUFACTURER | PART NUMBER |
|-----------------|-----------------------|-------------------|-----------------------|
| GE | GE132MAX-H/ULTRA | ESPEN | VE2P32MVHIPL 11067 |
| GE | GE132MAXP-L/ULTRA | ESPEN | VE2P32MVHIPE 11068 |
| GE | GE232-MV-PS-H | ESPEN | VE2P32MVHIPHE 11069 |
| GE | GE232-MVPS-L | ESPEN | VE2P32MVHPPE 11080 |
| GE | GE232-MVPS-N | ESPEN | VE3P32MVHIPL 11056 |
| GE | GE232MAX-L/ULTRA | ESPEN | VE3P32MVHIPE 11070 |
| GE | GE232MAX-G-N | ESPEN | VE3P32MVHPPE 11083 |
| GE | GE259MAX-G-N | ESPEN | VE4P32MVHIPE 11072 |
| GE | GE259MAX-G-N-DIYB | ESPEN | VE4P32MVHPPE 11086 |
| GE | GE332MAXP-L/ULTRA | UNIVERSAL | B232IUNVEL-N |
| GE | GE332MAXP-N/ULTRA | UNIVERSAL | B232IUNVHP-N |
| GE | GE332-MVPS-L | UNIVERSAL | B232PUNVHE-B |
| GE | GE432-120-RES | UNIVERSAL | B332IUNVHP-A |
| GE | GE432-120RES-B | UNIVERSAL | B432IUNVHE-A |
| GE | GE432MAXPH/ULTRA | UNIVERSAL | B432IUNVHP-A |
| GE | GE432MAXP-L/ULTRA | UNIVERSAL | B432PUNVHE-A |
| GE | GE432MAX-G-N | KEYSTONE | KTEB-228-1-TP-PH-SL/B |
| GE | GE432MAXG-N-DIYL | KEYSTONE | KTEB-232RIS-1-TP-SL/J |
| GE | GE232-MV-N | KEYSTONE | KTEB-232-UV-IS-N-P |
| PHILIPS ADVANCE | IOPA-1P32-N | KEYSTONE | KTEB-332-UV-IS-N-P |
| PHILIPS ADVANCE | ICN-2P32-N | KEYSTONE | KTEB-432RIS-1-TP-SL |
| PHILIPS ADVANCE | IOP-2P32-N | KEYSTONE | KTEB-432-UV-IS-N-P |
| PHILIPS ADVANCE | IOP-2P59-N | HOWARD INDUSTRIES | EP2/32IS/MV/MC/HE |
| PHILIPS ADVANCE | ICN-3P32-N | HOWARD INDUSTRIES | EPL2/32IS/MV/MC/HE |
| PHILIPS ADVANCE | IOPA-3P32-LW-N | HOWARD INDUSTRIES | EPL3/32IS/MV/SC/HE |
| PHILIPS ADVANCE | ICN-4P32-N | HOWARD INDUSTRIES | EPL4/32IS/MV/SC/HE |
| PHILIPS ADVANCE | IOP-4PSP32-SC | PLUSRITE | BAF232IS/MV |
| PHILIPS ADVANCE | IOP-4PSP32-LW-SC | PLUSRITE | BAF332IS/MV |
| PHILIPS ADVANCE | REB-4P32-SC | PLUSRITE | BAF432IS/MV |
| PHILIPS ADVANCE | VEL-4P32-SC | DAMAR | 1688B |
| OSRAM SYLVANIA | QHE 1X32T8/UNV ISL-SC | DAMAR | 3654C |
| OSRAM SYLVANIA | QHE 1X32T8/UNV ISN-SC | HALCO | EP232IS/MV/HE |
| OSRAM SYLVANIA | QTP 2X32T8/UNV ISN-SC | HALCO | EP432IS/L/MV/HE |
| OSRAM SYLVANIA | QHE 2X32T8/UNV PSN-MC | ROBERTSON | ISU232T8120 3P20116 |
| OSRAM SYLVANIA | QHE 2X32T8/UNV PSX-MC | ROBERTSON | IEA432T8120N 3P20135 |
| OSRAM SYLVANIA | QHE 2X59T8/UNV ISL-SC | SUNLITE | 40155-SU-SB/232/MV |
| OSRAM SYLVANIA | QHE 2X59T8/UNV ISN-SC | EIKO | PM-2X32T8-UNV-IS |
| OSRAM SYLVANIA | QTP 2X59T8/UNV ISN-SC | ACT | ACT4P32ISUNVE |
| OSRAM SYLVANIA | QTP 4X32T8/UNV ISN-SC | | |
| OSRAM SYLVANIA | QHE 4X32T8/UNV PSX-SC | | |

***The LED T8 lamps and the compatible ballasts shown on the chart, have been tested internally by the lamp manufacturer only and not the ballast manufacturer. We are continually testing our LED lamps on various popular ballasts. We will continue to update this list as additional models are tested. If the ballast does not appear on this list, it does not necessarily mean the model is not compatible with the LED T8 lamps. It may just be that the model has not been tested yet. Please contact us about ballasts that are not shown on this list.