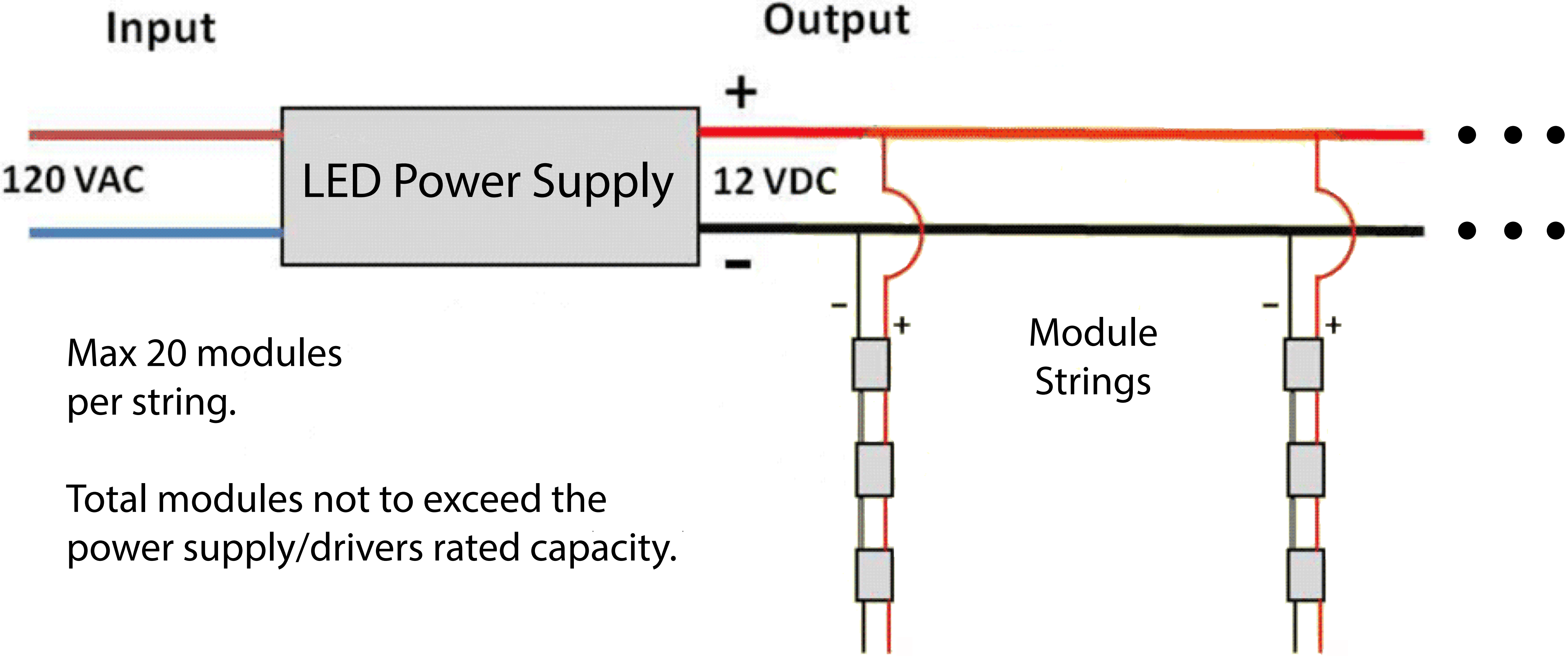


Installation Guide For Use With LED Modules



Max 20 modules per string.

Total modules not to exceed the power supply/drivers rated capacity.